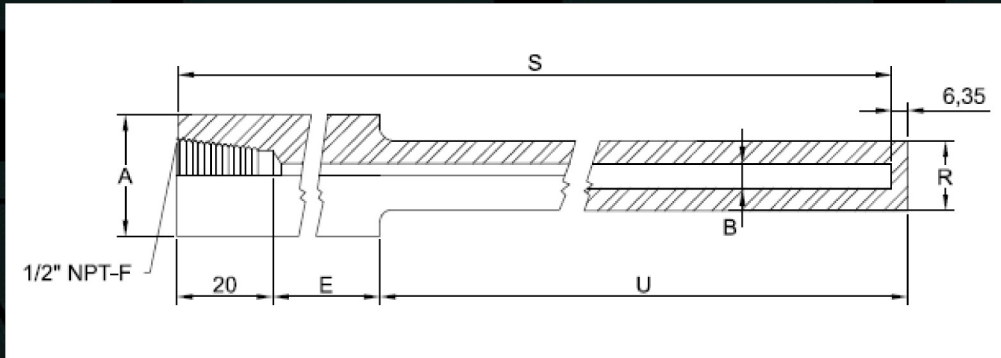


# Straight Stem Socket Weld Thermowell

The Straight Stem Socket Weld Thermowell is designed to be used with a class 3000# weld-o-let which allows the thermowell to be welded permanently into the process. ATC Control recommends it in high temperature and pressure operating when high rigidity against material frequency is required.



### Thermowell Dimensions:

Id	"A" NOM	"A" DIA	"R"	"R" mm
A	3/4"	1.050"	3/4"	19,05
B	1"	1.315"	1"	25,40
C	1 1/4"	1.660"	1 1/4"	31,75
D	1 1/2"	1.900"	1 1/2"	38,10
X	Other please specify			

Please fill in the required information:

Fluid:  Classified Area (Y/N):

Specific Weight:  s.w. Viscosity:  cp

Pipe Size:  mm Schedule:  mm

Pressure: Min.  bar Work  bar Max.  bar

Flow: Min.  l/s Work  l/s Max.  l/s

Temperature: Min.  °C Work  °C Max.  °C

Ref: SSSWT- D ell 0121,30 0020,00 0087,65 023 HT 001, 009

### "B" Well Bore (mm)

- 1 6,604 for 6,350 OD Elements
- 2 6,254 for 6,000 OD Elements
- X Other, please specify

### "S" Stem Length

Please Specify stem length in millimeters:

For example: 121,30mm

### "E" Lag Extension

Please Specify lag extension in millimeters:

For example: 20mm

### "U" Insertion Length

Please Specify insertion length in millimeters:

For example: 87,65mm

### Options

Please Specify 2 digits code as located in options table (pag 17)

(i.e.: HT)

HT Hydrostatic Test

### Documentation

Please Specify 3 digits code as located in doc. table (pag 18)

(i.e.: 001, 009)

001 Stress Calculation

009 Material Certificate EN 10204-3.1

### 023 Well Material

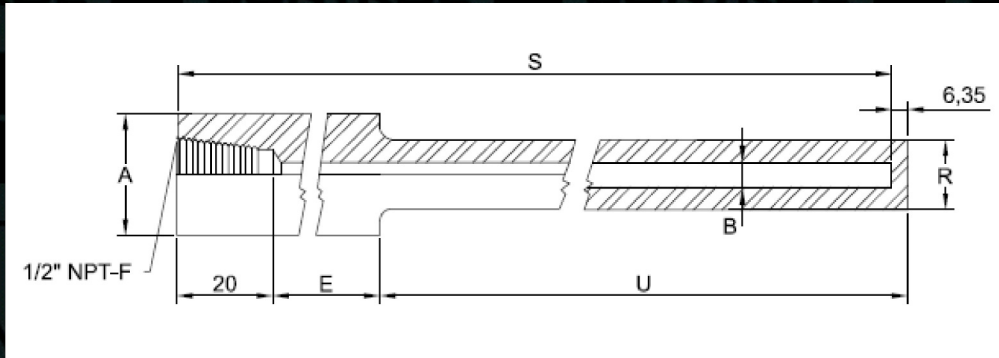
Please Specify 3 digits code as located in Material table (pag 19), example:

Please specify here your X or XX selected:

\* Thermowells are made from round bar with milled wrench flats

# Straight Stem Socket Weld Thermowell

The Straight Stem Socket Weld Thermowell is designed to be used with a class 3000# weld-o-let which allows the thermowell to be welded permanently into the process. ATC Control recommends it in high temperature and pressure operating when high rigidity against material frequency is required.



### Thermowell Dimensions:

Id	"A" NOM	"A" DIA	"R"	"R" mm
A	3/4"	1.050"	3/4"	19,05
B	1"	1.315"	1"	25,40
C	1 1/4"	1.660"	1 1/4"	31,75
D	1 1/2"	1.900"	1 1/2"	38,10
X	Other please specify			

### Please fill in the required information:

Fluid:  Classified Area (Y/N):

Specific Weight:  s.w. Viscosity:  cp

Pipe Size:  mm Schedule:  mm

Pressure: Min.  bar Work  bar Max.  bar

Flow: Min.  l/s Work  l/s Max.  l/s

Temperature: Min.  °C Work  °C Max.  °C

Ref: SSSWT-

### "B" Well Bore (mm)

1 6,604 for 6,350 OD Elements

2 6,254 for 6,000 OD Elements

X Other, please specify

### "S" Stem Length

Please Specify stem length in millimeters:

For example: 121,30mm

### "E" Lag Extension

Please Specify lag extension in millimeters:

For example: 20mm

### "U" Insertion Length

Please Specify insertion length in millimeters:

For example: 87,65mm

### Options

Please Specify 2 digits code as located in options table (pag 17)

(i.e.: HT)

HT Hydrostatic Test

### Documentation

Please Specify 3 digits code as located in doc. table (pag 18)

(i.e.: 001, 009)

001 Stress Calculation

009 Material Certificate EN 10204-3.1

### Well Material

Please Specify 3 digits code as located in Material table (pag 19), example:

023 321-SS

Please specify here your X or XX selected:

\* Thermowells are made from round bar with milled wrench flats