

Van Stone Tapered Thermowell

Van Stone Thermowells straight type is used for high chemical attack conditions with optional lagging extensions. Thermowell specifications should be determined based on temperature, pressure and corrosion resistance requirements. For further information and recommendations on specifications and applications. ATC Control manufactures it for chemical industry in exotic materials. Van Stone Tapered Thermowell allows to improve the response in high chemical attack conditions.

Please fill in the required information:

Fluid: Clasificated Area (Y/N):

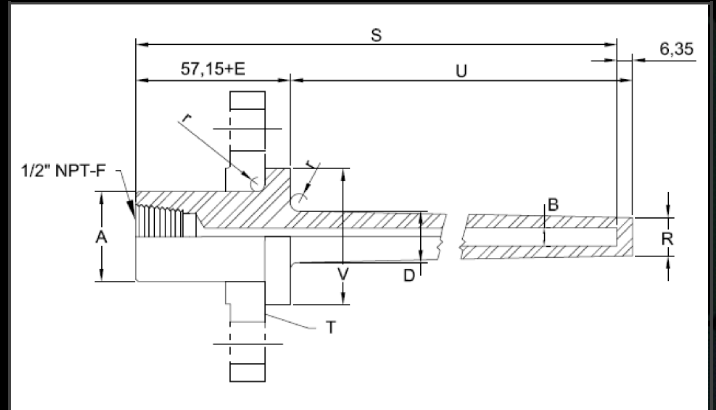
Specific Weight: s.w. Viscosity: cp

Pipe Size: mm Schedule: mm

Pressure: Min. bar Work bar Max. bar

Flow: Min. l/s Work l/s Max. l/s

Temperature: Min. °C Work °C Max. °C



Thermowell Dimensions:

Id Di	"A" NOM	"A" DIA	"D"	"D" mm	"V"	"V" mm	"R"	"R" mm
A	1"	1,315"	7/8"	22,22	2"	50,8	5/8"	15,87
B	1 1/2"	1,900"	1 1/16"	26,987	2 7/8"	73,025	5/8"	15,87

Ref: VSTT-

C	1	0164,80	0020,00	0087,65	1	A	023	HT	001, 009
---	---	---------	---------	---------	---	---	-----	----	----------

"B" Well Bore (mm)

- 1 6,604 for 6,350 OD Elements
- 2 6,254 for 6,000 OD Elements
- X Other, please specify

"S" Stem Length

Please Specify stem length in millimeters:

For example: 164,80mm

"E" Lag Extension

Please Specify lag extension in millimeters:

For example: 20mm

"U" Insertion Length

Please Specify insertion length in millimeters:

For example: 87,65mm

Please specify here your X or XX selected:

Options

Please Specify 2 digits code as located in options table (pag 17)

(i.e.: HT)

HT

Documentation

Please Specify 3 digits code as located in doc. table (pag 18)

(i.e.: 001, 009)

001

009

023 Well Material

Please Specify 3 digits code as located in Material table (pag 19), example:

023

"T" Flange size (SLIP ON TYPE)

DIN		ANSI	
A	DN25	C	1"
B	DN40	D	1 1/2"
X	Other, please specify		

"T" Rating

ANSI		DIN	
1	150#	3	PN16
2	300#	4	PN40

* Thermowells are made from round bar with milled wrench flats

Van Stone Tapered Thermowell

Van Stone Thermowells straight type is used for high chemical attack conditions with optional lagging extensions. Thermowell specifications should be determined based on temperature, pressure and corrosion resistance requirements. For further information and recommendations on specifications and applications. ATC Control manufactures it for chemical industry in exotic materials. Van Stone Tapered Thermowell allows to improve the response in high chemical attack conditions.

Please fill in the required information:

Fluid: Classified Area (Y/N):

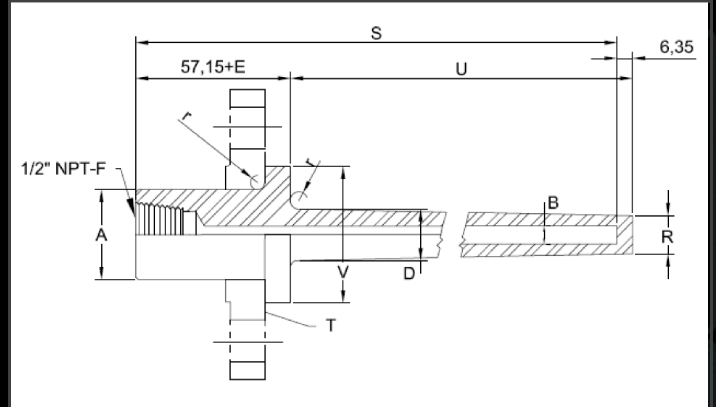
Specific Weight: s.w. Viscosity: cp

Pipe Size: mm Schedule: mm

Pressure: Min. bar Work bar Max. bar

Flow: Min. l/s Work l/s Max. l/s

Temperature: Min. °C Work °C Max. °C



Thermowell Dimensions:

Id Di	"A" NOM	"A" DIA	"D"	"D" mm	"V"	"V" mm	"R"	"R" mm
A	1"	1,315"	7/8"	22,22	2"	50,8	5/8"	15,87
B	1 1/2"	1,900"	1 1/16"	26,987	2 7/8"	73,025	5/8"	15,87

Ref: VSTT-

"B" Well Bore (mm)

- 1 6,604 for 6,350 OD Elements
- 2 6,254 for 6,000 OD Elements
- X Other, please specify

"S" Stem Length

Please Specify stem length in millimeters:

For example: 164,80mm 164,80

"E" Lag Extension

Please Specify lag extension in millimeters:

For example: 20mm 020,00

"U" Insertion Length

Please Specify insertion length in millimeters:

For example: 87,65mm 087,65

Please specify here your X or XX selected:

Options

Please Specify 2 digits code as located in options table (pag 17)

(i.e.: HT)

HT Hydrostatic Test

Documentation

Please Specify 3 digits code as located in doc. table (pag 18)

(i.e.: 001, 009)

001 Stress Calculation

009 Material Certificate EN 10204-3.1

Well Material

Please Specify 3 digits code as located in Material table (pag 19), example:

023 321-SS

"T" Flange size (SLIP ON TYPE)

DIN		ANSI	
A	DN25	C	1"
B	DN40	D	1 1/2"
X	Other, please specify		

"T" Rating

ANSI		DIN	
1	150#	3	PN16
2	300#	4	PN40

* Thermowells are made from round bar with milled wrench flats