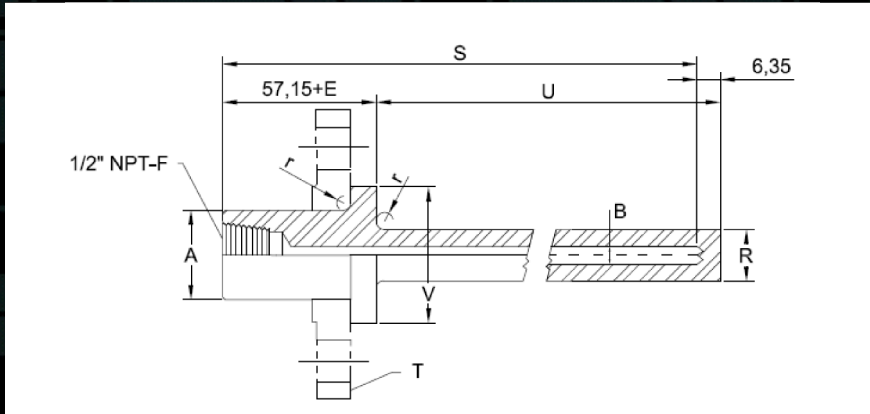


Van Stone Straight Thermowell

Van Stone Thermowells straight type is used for chemical attack conditions. Thermowell specifications should be determined based on temperature, pressure and corrosion resistance requirements. For further information and recommendations on specifications and applications. ATC Control manufactures it for chemical industry in exotic materials.



Please fill in the required information:

Fluid: Classified Area (Y/N):

Specific Weight: s.w. Viscosity: cp

Pipe Size: mm Schedule: mm

Pressure: Min. bar Work bar Max. bar

Flow: Min. l/s Work l/s Max. l/s

Temperature: Min. °C Work °C Max. °C

Thermowell Dimensions

Id	"P" Pipe S	"P" Pipe S	"R" DIA	"Q" 0,	"Q" 0,38
A	1"	1.315"	2"	3/4"	7/8"
B	1 1/2"	1.900"	2 7/8"	3/4"	7/8"

Ref: VSST- C 1 0164,80 0020,00 0087,65 1 A 023 HT 001, 009

"B" Well Bore (mm)

- 1 6,604 for 6,350 OD Elements
- 2 6,254 for 6,000 OD Elements
- X Other, please specify

"S" Stem Length

Please Specify stem length in millimeters:

For example: 164,80mm

"E" Lag Extension

Please Specify lag extension in millimeters:

For example: 20mm

"U" Insertion Length

Please Specify insertion length in millimeters:

For example: 87,65mm

Please specify here your X or XX selected:

Options

Please Specify 2 digits code as located in options table (pag 17)

(i.e.: HT)

Hydrostatic Test

Documentation

Please Specify 3 digits code as located in doc. table (pag 18)

(i.e.: 001, 009)

Stress Calculation

Material Certificate EN 10204-3.1

023 Well Material

Please Specify 3 digits code as located in Material table (pag 19), example:

"T" Flange size (SLIP ON TYPE)

DIN		ANSI	
A	DN25	C	1"
B	DN40	D	1 1/2"
X	Other, please specify		

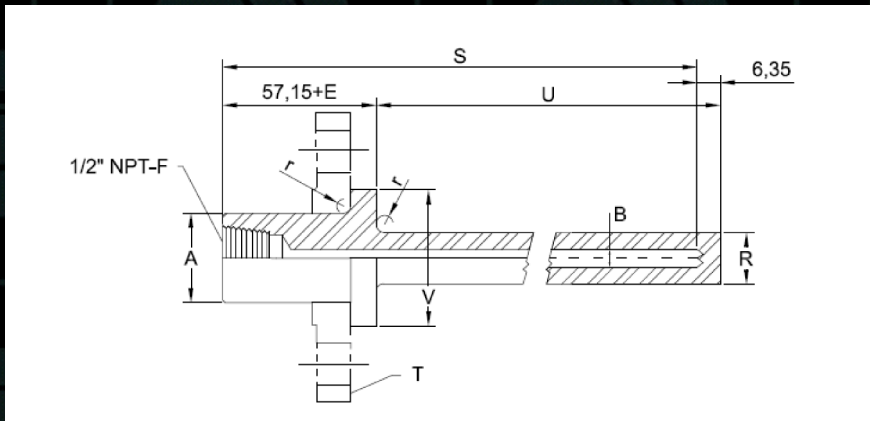
"T" Rating

ANSI		DIN	
1	150#	3	PN16
2	300#	4	PN40

* Thermowells are made from round bar with milled wrench flats

Van Stone Straight Thermowell

Van Stone Thermowells straight type is used for chemical attack conditions. Thermowell specifications should be determined based on temperature, pressure and corrosion resistance requirements. For further information and recommendations on specifications and applications. ATC Control manufactures it for chemical industry in exotic materials.



Please fill in the required information:

Fluid: Clasificated Area (Y/N):

Specific Weight: s.w. Viscosity: cp

Pipe Size: mm Schedule: mm

Pressure: Min. bar Work bar Max. bar

Flow: Min. l/s Work l/s Max. l/s

Temperature: Min. °C Work °C Max. °C

Thermowell Dimensions

Id	"P" Pipe S	"P" Pipe S	"R" DIA	"O" 0,	"O" 0,38
A	1"	1.315"	2"	3/4"	7/8"
B	1 1/2"	1.900"	2 7/8"	3/4"	7/8"

Ref: VSST-

"B" Well Bore (mm)

- 1 6,604 for 6,350 OD Elements
- 2 6,254 for 6,000 OD Elements
- X Other, please specify

"S" Stem Length

Please Specify stem length in millimeters:
 For example: 164,80mm 164,80

"E" Lag Extension

Please Specify lag extension in millimeters:
 For example: 20mm 020,00

"U" Insertion Length

Please Specify insertion length in millimeters:
 For example: 87,65mm 087,65

Please specify here your X or XX selected:

Options

Please Specify 2 digits code as located in options table (pag 17)

(i.e.: HT)
 HT Hydrostatic Test

Documentation

Please Specify 3 digits code as located in doc. table (pag 18)

(i.e.: 001, 009)
 001 Stress Calculation
 009 Material Certificate EN 10204-3.1

Well Material

Please Specify 3 digits code as located in Material table (pag 19), example:

023 321-SS

"T" Flange size (SLIP ON TYPE)

	DIN	ANSI
A	DN25	C 1"
B	DN40	D 1 1/2"
X	Other, please specify	

"T" Rating

	ANSI	DIN
1	150#	3 PN16
2	300#	4 PN40

* Thermowells are made from round bar with milled wrench flats