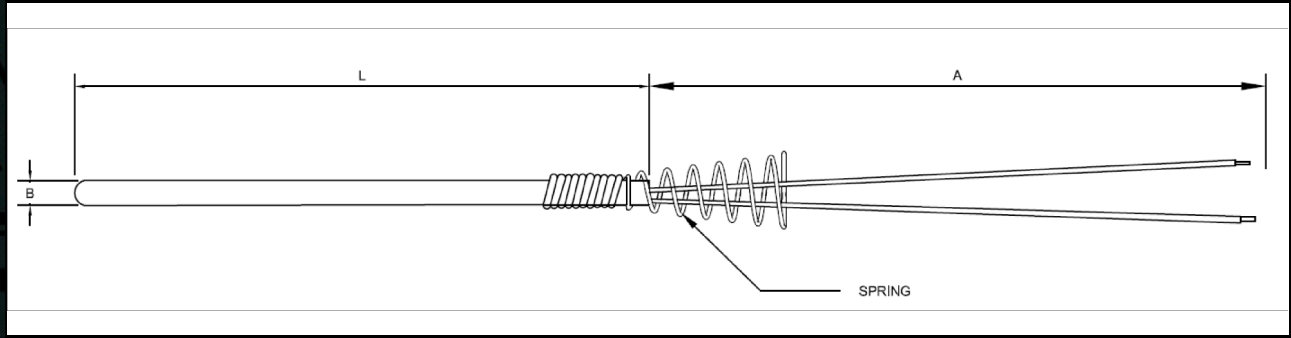


Thermocouples Sensing Unit



Ref: TSU- C K 1 E B 0200,00 1 N 0200,00 321

Sheath Termination

A	Stripped Base Lead
C	Spring Loaded Replacement Element

Calibration

Single		Duplex		
J	Type "J"	JJ	Type "J"	800°
K	Type "K"	KK	Type "K"	1200°
E	Type "E"	EE	Type "E"	800°
T	Type "T"	TT	Type "T"	400°
R	Type "R"	RR	Type "R"	1480°
S	Type "S"	SS	Type "S"	1480°
N	Type "N"	NN	Type "N"	1200°
B	Type "B"	BB	Type "B"	1700°

Class

ANSI		DIN	
1	Class 1	3	Standard
2	Class 2	4	Special

Sheath Material

321	321 SS
316	316 SS
304	304 SS
XXX	Other, please specify

"L" Sheath Length

0200,00

"B" Sheath Diameter

K	3mm
N	4.7mm
R	6 mm
M	6,35 mm

Leadwire Type

1	Stranded Teflon Singles
9	Stranded FiberGlass Singles

Leadwire Length "A"

0200,00

Leadwire Terminations

A	None
B	Leads Stripped and Tinned

Junction Type:

E	Exposed (without thermowell)
G	Grounded
U	Ungrounded

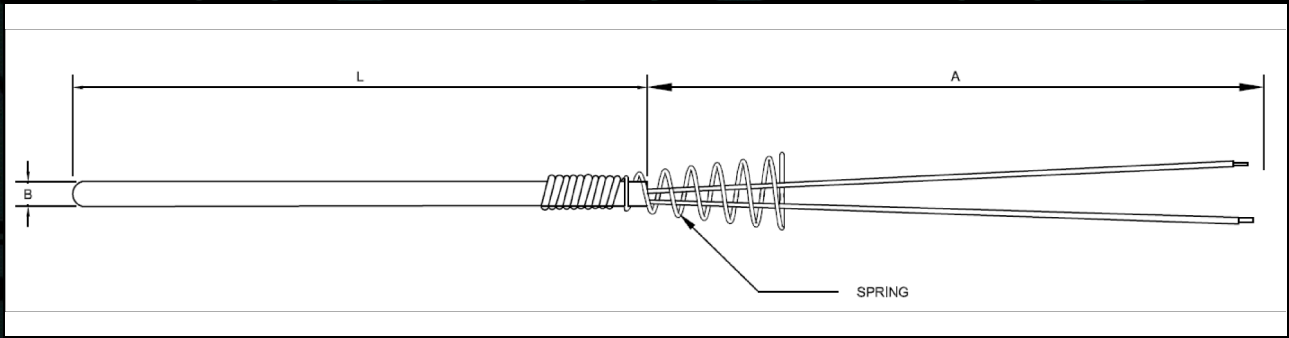
Type E				
Class	Temperature Range	Limiting error	Temperature Range	Limiting error
DIN EN 60 584 part 2				
1	-40°C up to +375°C	±1.5°C	+375°C up to +800°C	±0.0040 · t
2	-40°C up to +333°C	±2.5°C	+333°C up to +990°C	±0.0075 · t
ISA (ANSI) MC96.1 - 1982				
Standard	0°C up to +871°C	Maxbetween ±1.0°C or 0.4%		

Type K and Type J				
Class	Temperature Range	Limiting error	Temperature Range	Limiting error
DIN EN 60 584 part 2				
1	-40°C up to +375°C	±1.5°C	+375°C up to +1000°C	±0.0040 · t
2	-40°C up to +333°C	±2.5°C	+333°C up to +1200°C	±0.0075 · t
ISA (ANSI) MC96.1 - 1982				
Standard	0°C up to +1250°C	Maxbetween ±2.2°C or 0.75%		
Special	0°C up to +1250°C	Maxbetween ±1.1°C or 0.4%		

Type T				
Class	Temperature Range	Limiting error	Temperature Range	Limiting error
DIN EN 60 584 part 2				
1	-40°C up to +125°C	±0.5°C	+125°C up to +350°C	±0.0040 · t
2	-40°C up to +133°C	±1.0°C	+133°C up to +350°C	±0.0075 · t
ISA (ANSI) MC96.1 - 1982				
Standard	0°C up to +371°C	Maxbetween ±1.0°C or 1.5%		

Please specify here your X or XX selected:

Thermocouples Sensing Unit



Ref: TSU-

Sheath Termination

- A Stripped Base Lead
- C Spring Loaded Replacement Element

Calibration

Single		Duplex		
J	Type "J"	JJ	Type "J"	800°
K	Type "K"	KK	Type "K"	1200°
E	Type "E"	EE	Type "E"	800°
T	Type "T"	TT	Type "T"	400°
R	Type "R"	RR	Type "R"	1480°
S	Type "S"	SS	Type "S"	1480°
N	Type "N"	NN	Type "N"	1200°
B	Type "B"	BB	Type "B"	1700°

Class

ANSI		DIN	
1	Class 1	3	Standard
2	Class 2	4	Special

Sheath Material

321	321 SS
316	316 SS
304	304 SS
XXX	Other, please specify

"L" Sheath Length

"B" Sheath Diameter

K	3mm
N	4.7mm
R	6 mm
M	6,35 mm

Leadwire Type

- 1 Stranded Teflon Singles
- 9 Stranded FiberGlass Singles

Leadwire Length "A"

Leadwire Terminations

- A None
- B Leads Stripped and Tinned

Junction Type:

E	Exposed (without thermowell)
G	Grounded
U	Ungrounded

Type E

Class	Temperature Range	Limiting error	Temperature Range	Limiting error
DIN EN 60 584 part 2				
1	-40°C up to +375°C	±1.5°C	+375°C up to +800°C	±0.0040 · t
2	-40°C up to +333°C	±2.5°C	+333°C up to +990°C	±0.0075 · t
ISA (ANSI) MC96.1 - 1982				
Standard	0°C up to +871°C	Max between ±1.0°C or 0.4%		

Type K and Type J

Class	Temperature Range	Limiting error	Temperature Range	Limiting error
DIN EN 60 584 part 2				
1	-40°C up to +375°C	±1.5°C	+375°C up to +1000°C	±0.0040 · t
2	-40°C up to +333°C	±2.5°C	+333°C up to +1200°C	±0.0075 · t
ISA (ANSI) MC96.1 - 1982				
Standard	0°C up to +1250°C	Max between ±2.2°C or 0.75%		
Special	0°C up to +1250°C	Max between ±1.1°C or 0.4%		

Type T

Class	Temperature Range	Limiting error	Temperature Range	Limiting error
DIN EN 60 584 part 2				
1	-40°C up to +125°C	±0.5°C	+125°C up to +350°C	±0.0040 · t
2	-40°C up to +133°C	±1.0°C	+133°C up to +350°C	±0.0075 · t
ISA (ANSI) MC96.1 - 1982				
Standard	0°C up to +371°C	Max between ±1.0°C or 1.5%		

Please specify here your X or XX selected: