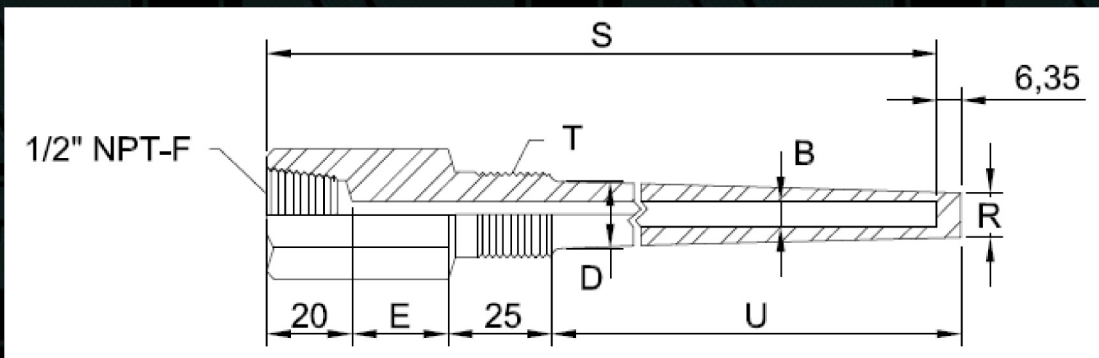
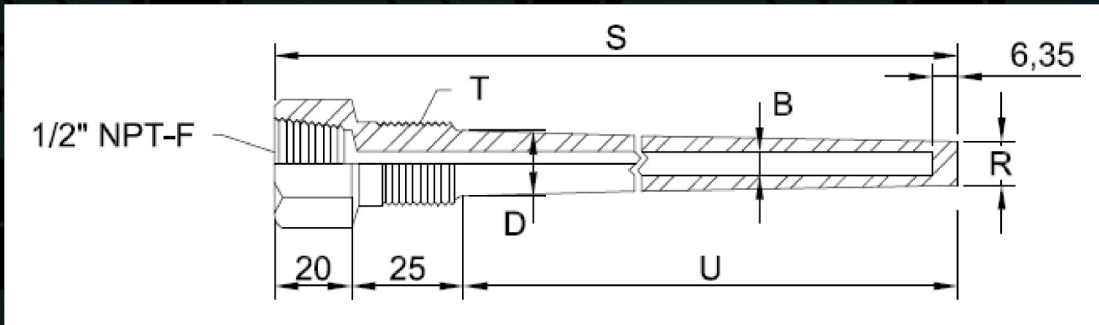


Tapered Stem Threaded Thermowell

Tapered Stem Threaded Thermowells are recommended by ATC Control for duty applications in low pressure process conditions when a threaded thermowell working is required for a better and quicker response.



Thermowell Dimensions

Id	"T"	"D" DIA	"D" mm	"R" mm
A	1/2"	5/8"	15,87	12,70
B	3/4"	7/8"	22,22	19,45
C	1"	1 1/16"	26,98	19,45
D	1 1/4"	1 3/8"	34,92	22,22
E	1 1/2"	1 5/8"	41,27	22,22

Please select: NPT
 BSP

Please fill in the required information:

Fluid: Classified Area (Y/N):

Specific Weight: s.w. Viscosity: cp

Pipe Size: mm Schedule: mm

Pressure: Min. bar Work bar Max. bar

Flow: Min. l/s Work l/s Max. l/s

Temperature: Min. °C Work °C Max. °C

Ref: TSTT-

"B" Well Bore (mm)

- 1 6,604 for 6,350 OD Elements
- 2 6,254 for 6,000 OD Elements
- X Other, please specify

"S" Stem Length

Please Specify stem length in millimeters:

For example: 127,65mm

"E" Lag Extension

Please Specify lag extension in millimeters:

For example: 20mm

"U" Insertion Length

Please Specify insertion length in millimeters:

For example: 87,65mm

Options

Please Specify 2 digits code as located in options table (pag 17)

(i.e.: HT, DY)

HT Hydrostatic Test

DY Dye Penetrants Test

Documentation

Please Specify 3 digits code as located in doc. table (pag 18)

(i.e.: 001, 009)

001 Stress Calculation

009 Material Certificate EN 10204-3.1

023 Well Material

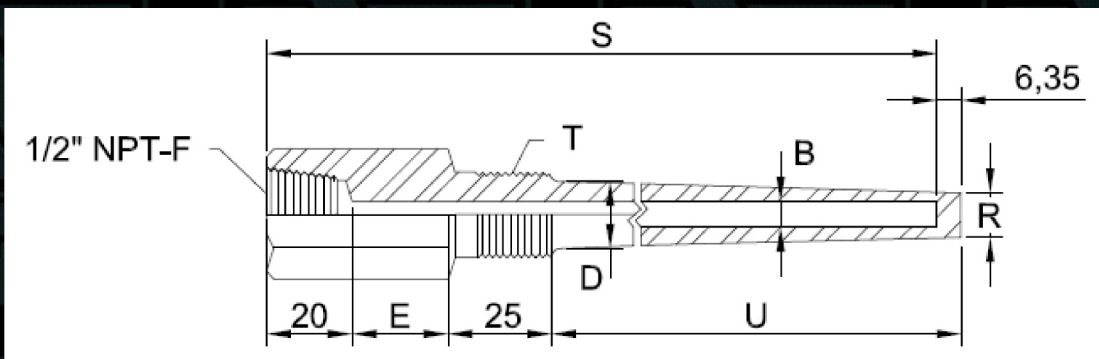
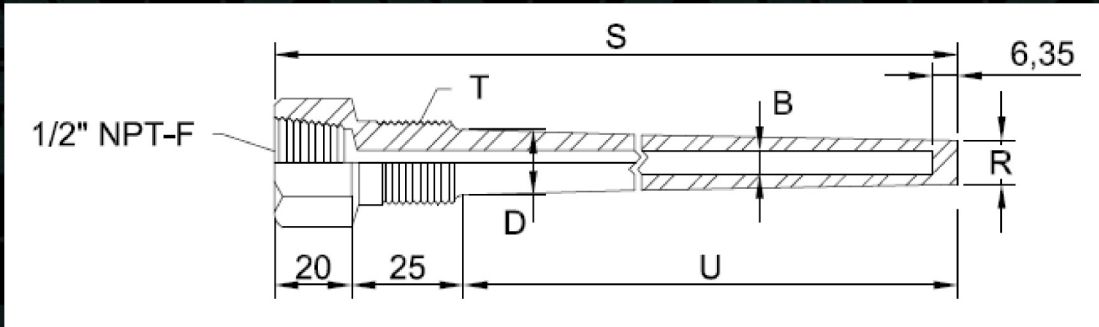
Please Specify 3 digits code as located in Material table (pag 19), example:

Please specify here your X or XX selected:

* Thermowells are made from round bar with milled wrench flats

Tapered Stem Threaded Thermowell

Tapered Stem Threaded Thermowells are recommended by ATC Control for duty applications in low pressure process conditions when a threaded thermowell working is required for a better and quicker response.



Thermowell Dimensions

Id	"T"	"D" DIA	"D" mm	"R" mm
A	1/2"	5/8"	15,87	12,70
B	3/4"	7/8"	22,22	19,45
C	1"	1 1/16"	26,98	19,45
D	1 1/4"	1 3/8"	34,92	22,22
E	1 1/2"	1 5/8"	41,27	22,22

Please select:

Please fill in the required information:

Fluid: Classified Area (Y/N):

Specific Weight: s.w. Viscosity: cp

Pipe Size: mm Schedule: mm

Pressure: Min. bar Work bar Max. bar

Flow: Min. l/s Work l/s Max. l/s

Temperature: Min. °C Work °C Max. °C

Ref: TSTT-

"B" Well Bore (mm)

1 6,604 for 6,350 OD Elements

2 6,254 for 6,000 OD Elements

X Other, please specify

"S" Stem Length

Please Specify stem length in millimeters:

For example: 127,65mm

"E" Lag Extension

Please Specify lag extension in millimeters:

For example: 20mm

"U" Insertion Length

Please Specify insertion length in millimeters:

For example: 87,65mm

Options

Please Specify 2 digits code as located in options table (pag 17)

(i.e.: HT, DY)

HT Hydrostatic Test

DY Dye Penetrants Test

Documentation

Please Specify 3 digits code as located in doc. table (pag 18)

(i.e.: 001, 009)

001 Stress Calculation

009 Material Certificate EN 10204-3.1

Well Material

Please Specify 3 digits code as located in Material table (pag 19), example:

Please specify here your X or XX selected:

* Thermowells are made from round bar with milled wrench flats