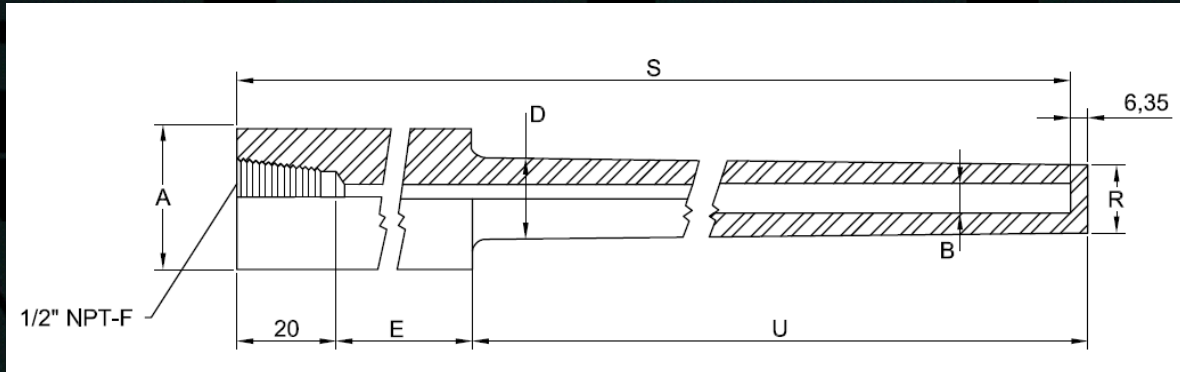


Tapered Stem Socket Weld Thermowell

Tapered Stem Socket Weld Thermowell is designed to be used with a 3000# weld-o-let to allow the thermowell to be welded permanently into the process. This type of thermowell is recommended by ATC Control to be used in high pressure and temperature applications when balance between strength and accuracy is required.



Thermowell Dimensions

Id	"A" NOM	"A" DIA	"D"	"D" mm	"R"	"R" mm
A	3/4"	1,050"	7/8"	22,22	5/8"	15,87
B	1"	1,315"	1"	25,4	5/8"	15,87
C	1 1/4"	1,660"	1 1/4"	31,75	7/8"	22,22
D	1 1/2"	1,900"	1 1/2"	38,1	7/8"	22,22
X	Other please specify					

Please fill in the required information:

Fluid: Classified Area (Y/N):

Specific Weight: s.w. Viscosity: cp

Pipe Size: mm Schedule: mm

Pressure: Min. bar Work bar Max. bar

Flow: Min. l/s Work l/s Max. l/s

Temperature: Min. °C Work °C Max. °C

Ref: TSSWT-

A	1	0121,30	0020,00	0087,65	023	HT	001, 009
---	---	---------	---------	---------	-----	----	----------

"B" Well Bore (mm)

- 1 6,604 for 6,350 OD Elements
- 2 6,254 for 6,000 OD Elements
- X Other, please specify

"S" Stem Length

Please Specify stem length in millimeters:

For example: 121,30mm

"E" Lag Extension

Please Specify lag extension in millimeters:

For example: 20mm

"U" Insertion Length

Please Specify insertion length in millimeters:

For example: 87,65mm

Options

HT

Documentation

001

009

023 Well Material

Please Specify 3 digits code as located in Material table (pag 19), example:

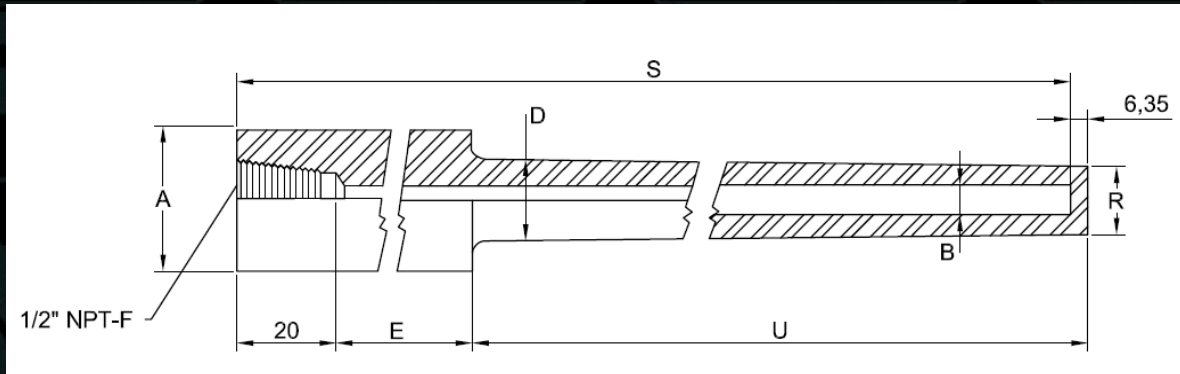
023

Please specify here your X or XX selected:

* Thermowells are made from round bar with milled wrench flats

Tapered Stem Socket Weld Thermowell

Tapered Stem Socket Weld Thermowell is designed to be used with a 3000# weld-o-let to allow the thermowell to be welded permanently into the process. This type of thermowell is recommended by ATC Control to be used in high pressure and temperature applications when balance between strength and accuracy is required.



Thermowell Dimensions

Id	"A" NOM	"A" DIA	"D"	"D" mm	"R"	"R" mm
A	3/4"	1,050"	7/8"	22,22	5/8"	15,87
B	1"	1,315"	1"	25,4	5/8"	15,87
C	1 1/4"	1,660"	1 1/4"	31,75	7/8"	22,22
D	1 1/2"	1,900"	1 1/2"	38,1	7/8"	22,22
X	Other please specify					

Please fill in the required information:

Fluid: Clasificated Area (Y/N):

Specific Weight: s.w. Viscosity: cp

Pipe Size: mm Schedule: mm

Pressure: Min. bar Work bar Max. bar

Flow: Min. l/s Work l/s Max. l/s

Temperature: Min. °C Work °C Max. °C

Ref: TSSWT-

"B" Well Bore (mm)

- 1 6,604 for 6,350 OD Elements
- 2 6,254 for 6,000 OD Elements
- X Other, please specify

"S" Stem Length

Please Specify stem length in millimeters:

For example: 121,30mm 121,30

"E" Lag Extension

Please Specify lag extension in millimeters:

For example: 20mm 020,00

"U" Insertion Length

Please Specify insertion length in millimeters:

For example: 87,65mm 087,65

Options

HT Hydrostatic Test

Documentation

001 Stress Calculation

009 Material Certificate EN 10204-3.1

Well Material

Please Specify 3 digits code as located in Material table (pag 19), example:

023 321-SS

Please specify here your X or XX selected:

* Thermowells are made from round bar with milled wrench flats