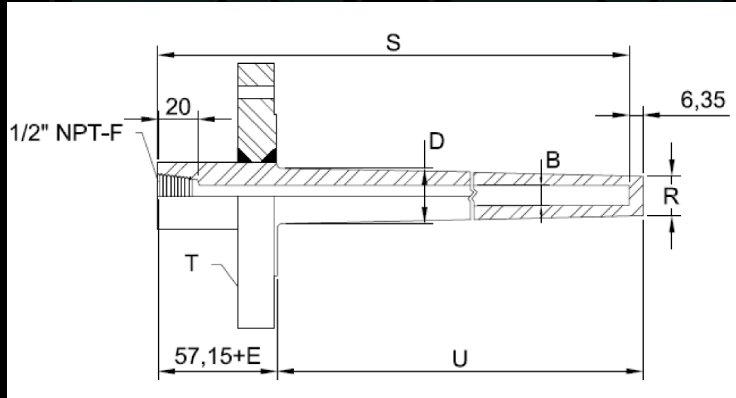


Heavy Duty Flanged Thermowell

Tapered Flanged Thermowell

Heavy Duty Flanged Thermowell provides a faster response in heavy duty applications in process and a good balance between strength and accuracy in tanks. Heavy Duty Flanged Thermowells are providing quicker response and reduced stem loss.



Please fill in the required information:

Fluid: Classified Area (Y/N):

Specific Weight: s.w. Viscosity: cp

Pipe Size: mm Schedule: mm

Pressure: Min. bar Work bar Max. bar

Flow: Min. l/s Work l/s Max. l/s

Temperature: Min. °C Work °C Max. °C

Thermowell Dimensions:

Id	"D" DIA	"D" mm	R'	R' mm
B	7/8"	22,22	1/2"	12,7
C	1"	25,4	5/8"	15,87
D	1 1/16"	26,987	7/8"	22,22
X	Other	please	specify	

Ref: SFT- **D 1 0127,65 0020,00 0047,65 0040,00 FF 1 A 023 HT, FP 005, 009**

"B" Well Bore (mm)

1	6,604 for 6,350 OD Elements
2	6,254 for 6,000 OD Elements
X	Other, please specify

"S" Stem Length

Please Specify stem length in milimeters:	0127,65
For example: 164,80mm	164,80

"E" Lag Extension

Please Specify lag extension in milimeters:	0020,00
For example: 20mm	020,00

"U" Insertion Length

Please Specify insertion length in milimeters:	0047,65
For example: 47,65mm	047,65

"Z" Stepped Length

Please Specify stepped length in milimeters:	0040,00
For example: 40mm Recomendado 38,1mm	040,00

Flange Type

RF	Raised Face R.F.	- C
FF	Flat Face F.F.	- O
RTJ	Ring Type Joint R.T.J.	- F/N

* Thermowells are made from round bar with milled wrench flats

Options

Please Specify 2 digits code as located in options table (pag 17)

HT, FP	(i.e.: HT, FP)
HT	Hydrostatic Test
FP	Full Penetration Welding

Documentation

Please Specify 3 digits code as located in doc. table (pag 18)

005, 009	(i.e.: 005, 009)
005	Stress Calculation
009	Material Certificate EN 10204-3.1

023 Well Material

Please Specify 3 digits code as located in Material table (pag 19), example:

023	321-SS
-----	--------

"T" Flange size

	DIN	ANSI
A	DN25	C 1"
B	DN40	D 1 1/2"
X	Other, please specify	

"T" Rating

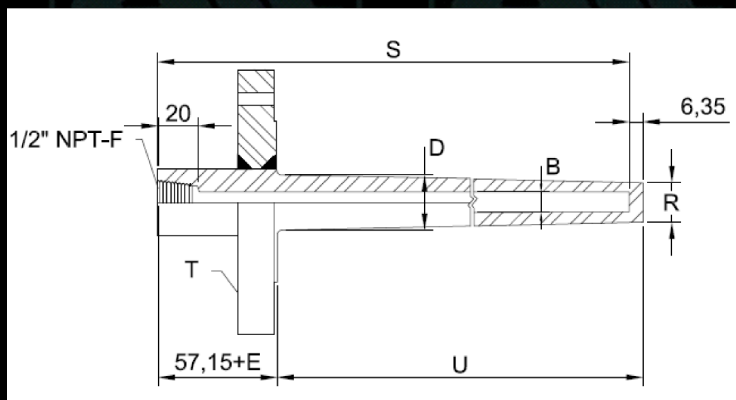
	ANSI	DIN
1	150#	7 PN16
2	300#	8 PN25
3	600#	9 PN40
4	900#	10 PN65
5	1500#	11 PN100
6	2500#	12 PN160

Please specify here your X or XX selected:

Heavy Duty Flanged Thermowell

Tapered Flanged Thermowell

Heavy Duty Flanged Thermowell provides a faster response in heavy duty applications in process and a good balance between strength and accuracy in tanks. Heavy Duty Flanged Thermowells are providing quicker response and reduced stem loss.



Please fill in the required information:

Fluid: Classified Area (Y/N):

Specific Weight: s.w. Viscosity: cp

Pipe Size: mm Schedule: mm

Pressure: Min. bar Work bar Max. bar

Flow: Min. l/s Work l/s Max. l/s

Temperature: Min. °C Work °C Max. °C

Thermowell Dimensions:

Id	"D" DIA	"D" mm	R'	R' mm
B	7/8"	22,22	1/2"	12,7
C	1"	25,4	5/8"	15,87
D	1 1/16"	26,987	7/8"	22,22
X	Other	please	specify	

Ref: SFT-

"B" Well Bore (mm)

- 1 6,604 for 6,350 OD Elements
- 2 6,254 for 6,000 OD Elements
- X Other, please specify

"S" Stem Length

Please Specify stem length in millimeters:

For example: 164,80mm

"E" Lag Extension

Please Specify lag extension in millimeters:

For example: 20mm

"U" Insertion Length

Please Specify insertion length in millimeters:

For example: 47,65mm

"Z" Stepped Length

Please Specify stepped length in millimeters:

For example: 40mm Recommended 38,1mm

Flange Type

- RF Raised Face R.F. - C
- FF Flat Face F.F. - O
- RTJ Ring Type Joint R.T.J. - F/N

Options

Please Specify 2 digits code as located in options table (pag 17)

(i.e.: HT FP)

- HT Hydrostatic Test
- FP Full Penetration Welding

Documentation

Please Specify 3 digits code as located in doc. table (pag 18)

(i.e.: 005, 009)

- 005 Stress Calculation
- 009 Material Certificate EN 10204-3.1

Well Material

Please Specify 3 digits code as located in Material table (pag 19), example:

- 023 321-SS

"T" Flange size

DIN		ANSI	
A	DN25	C	1"
B	DN40	D	1 1/2"
X	Other, please specify		

"T" Rating

ANSI		DIN	
1	150#	7	PN16
2	300#	8	PN25
3	600#	9	PN40
4	900#	10	PN65
5	1500#	11	PN100
6	2500#	12	PN160

* Thermowells are made from round bar with milled wrench flats

Please specify here your X or XX selected: