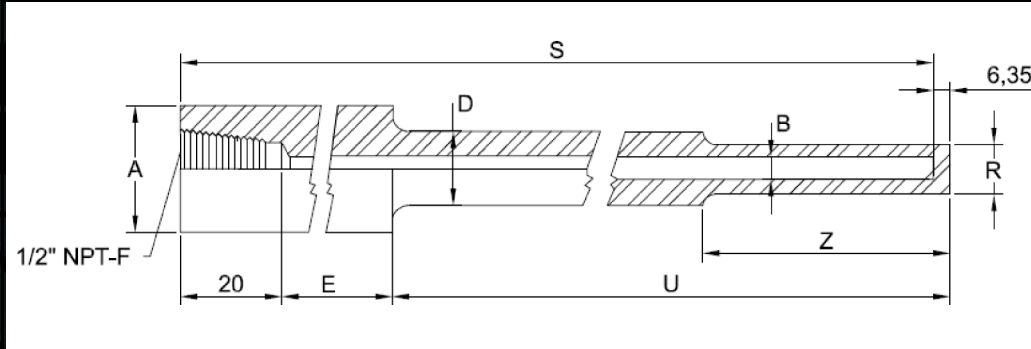


Stepped Stem Socket Weld Thermowell

Stepped Stem Socket Weld Thermowell is designed to be used with a 3000# weld-o-let. ATC Control recommends to use it for high pressure and temperature process conditions when a faster response to temperature changes is required.



Thermowell Dimensions:

Id	"A" NOM	"A" DIA	"D"	"D" mm	"R"	"R" mm
A	3/4"	1,050"	3/4"	19,05	1/2"	12,70
B	1"	1,315"	7/8"	22,22	1/2"	12,70
C	1 1/4"	1,660"	1 1/4"	31,75	7/8"	22,22
D	1 1/2"	1,900"	1 1/2"	38,10	7/8"	22,22
X	Other please specify					

Please fill in the required information:

Fluid: Classified Area (Y/N):

Specific Weight: s.w. Viscosity: cp

Pipe Size: mm Schedule: mm

Pressure: Min. bar Work bar Max. bar

Flow: Min. l/s Work l/s Max. l/s

Temperature: Min. °C Work °C Max. °C

Ref: SSSTWT- D 1 0164,80 0020,00 0087,65 0040,00 023 HT, FP 005, 009

"B" Well Bore (mm)

- 1 6,604 for 6,350 OD Elements
- 2 6,254 for 6,000 OD Elements
- X Other, please specify

"S" Stem Length

Please Specify stem length in millimeters:

For example: 161,30mm

"E" Lag Extension

Please Specify lag extension in millimeters:

For example: 20mm

"U" Insertion Length

Please Specify insertion length in millimeters:

For example: 87,65mm

"Z" Stepped Length

Please Specify stepped length in millimeters:

For example: 40mm Recommended 38,1mm

Options

Please Specify 2 digits code as located in options table (pag 17)

HT, FP (i.e.: HT)

HT Hydrostatic Test

Documentation

Please Specify 3 digits code as located in doc. table (pag 18)

005, 009 (i.e.: 001, 009)

001 Stress Calculation

009 Material Certificate EN 10204-3.1

023 Well Material

Please Specify 3 digits code as located in Material table (pag 19), example:

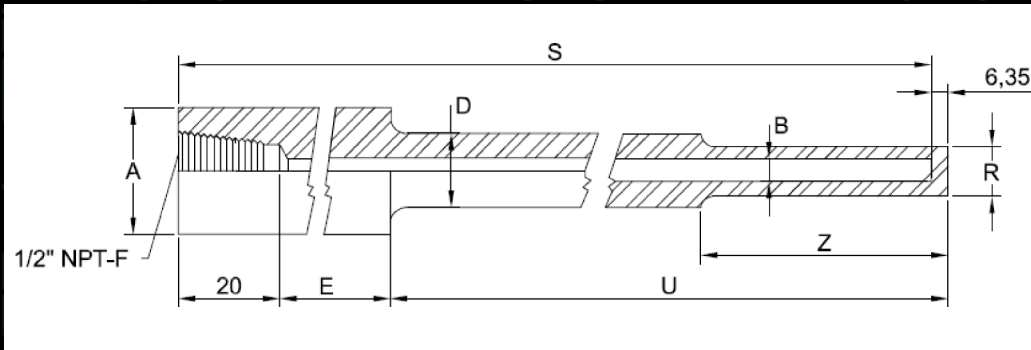
023 321-SS

Please specify here your X or XX selected:

* Thermowells are made from round bar with milled wrench flats

Stepped Stem Socket Weld Thermowell

Stepped Stem Socket Weld Thermowell is designed to be used with a 3000# weld-o-let. ATC Control recommends to use it for high pressure and temperature process conditions when a faster response to temperature changes is required.



Thermowell Dimensions:

Id	"A" NOM	"A" DIA	"D"	"D" mm	"R"	"R" mm
A	3/4"	1,050"	3/4"	19,05	1/2"	12,70
B	1"	1,315"	7/8"	22,22	1/2"	12,70
C	1 1/4"	1,660"	1 1/4"	31,75	7/8"	22,22
D	1 1/2"	1,900"	1 1/2"	38,10	7/8"	22,22
X	Other please specify					

Please fill in the required information:

Fluid: Clasificated Area (Y/N):

Specific Weight: s.w. Viscosity: cp

Pipe Size: mm Schedule: mm

Pressure: Min. bar Work bar Max. bar

Flow: Min. l/s Work l/s Max. l/s

Temperature: Min. °C Work °C Max. °C

Ref: SSSTWT-

"B" Well Bore (mm)

- 1 6,604 for 6,350 OD Elements
- 2 6,254 for 6,000 OD Elements
- X Other, please specify

"S" Stem Length

Please Specify stem length in milimeters:

For example: 161,30mm

"E" Lag Extension

Please Specify lag extension in milimeters:

For example: 20mm

"U" Insertion Length

Please Specify insertion length in milimeters:

For example: 87,65mm

"Z" Stepped Length

Please Specify stepped length in milimeters:

For example: 40mm Recomend 38,1mm

Options

Please Specify 2 digits code as located in options table (pag 17)

(i.e.: HT)

HT Hydrostatic Test

Documentation

Please Specify 3 digits code as located in doc. table (pag 18)

(i.e.: 001, 009)

001 Stress Calculation

009 Material Certificate EN 10204-3.1

Well Material

Please Specify 3 digits code as located in Material table (pag 19), example:

023 321-SS

Please specify here your X or XX selected:

* Thermowells are made from round bar with milled wrench flats