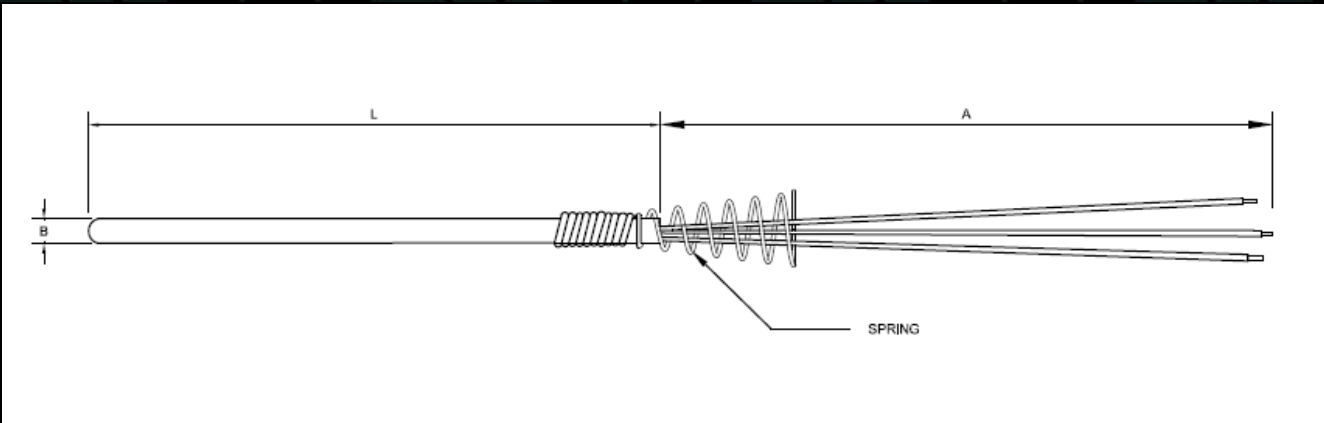


RTD'S Sensing Unit



Ref: **RSU- A C B M 7 A S 1 K 0080,00 316**

Sheath Termination

- A Stripped Base Lead
- C Spring Loaded Replacement Element

Element Type

- B Platinum 100w Single 3 Wire
- C Platinum 100w Single 4 Wire
- E Platinum 100w Dual 3 Wire
- F Platinum 100w Dual 4 Wire

Accuracy and Temperature Coefficient

- A Class B (.12%) | 00385 α
- B Class A (.06%) | 00385 α
- C 1/3rd (.04%) | 00385 α
- D 1/10th (.01%) | 00385 α
- X Other, please specify

Temperature Range:

- L -50 to + 200°C
- M -50 to + 450°C
- H -200 to +650°C
- Q +200 to +800°C
- X For specific range please specify

Standard Version

1	Type B	$\Delta t = \pm(0,30 + 0,0050 t)$	-50 400°C
2	Type A	$\Delta t = \pm(0,15 + 0,0020 t)$	-30 350°C
3	Type A	$\Delta t = \pm(0,30 + 0,0050 t)$	-50 ... -30 / 350 ... 400°C
4	Type 1/3 B	$\Delta t = \pm(0,10 + 0,0017 t)$	0 100°C
5	Type 1/3 B	$\Delta t = \pm(0,15 + 0,0020 t)$	-30 ... 0 / 100 ... 350°C
6	Type 1/3 B	$\Delta t = \pm(0,30 + 0,0050 t)$	-50 ... -30 / 350 ... 400°C

Better resistance to vibrations

7	Type B	$\Delta t = \pm(0,30 + 0,0050 t)$	-50 400°C
8	Type A	$\Delta t = \pm(0,15 + 0,0020 t)$	-30 350°C
9	Type A	$\Delta t = \pm(0,30 + 0,0050 t)$	-50 ... -30 / 350 ... 400°C

Extended range of measurement

10	Type B	$\Delta t = \pm(0,30 + 0,0050 t)$	-200 800°C
11	Type A	$\Delta t = \pm(0,15 + 0,0020 t)$	-200 800°C

Sheath Material

321	321 SS
316	316 SS
304	304 SS
XXX	Other, please specify

"L" Sheath Length, please specify

0080,00

"B" Sheath Diameter

K	3mm
N	4.7mm
R	6 mm
M	6,35 mm

Leadwire Type

- 1 Stranded Teflon Singles
- 9 Stranded FiberGlass Singles

Leadwire Length "B"

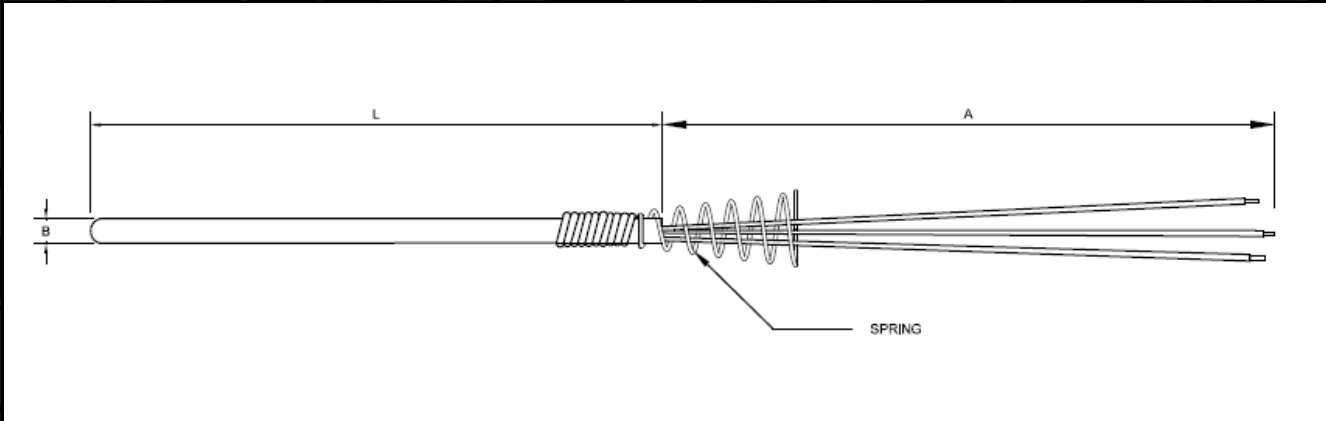
- S Standard 55 mm
- X Other, please specify

Leadwire Terminations

- A None
- B Leads Stripped and Tinned

Please specify here your X or XX selected:

RTD'S Sensing Unit



Ref: RSU-

Sheath Termination

- A Stripped Base Lead
- C Spring Loaded Replacement Element

Element Type

- B Platinum 100w Single 3 Wire
- C Platinum 100w Single 4 Wire
- E Platinum 100w Dual 3 Wire
- F Platinum 100w Dual 4 Wire

Accuracy and Temperature Coefficient

- A Class B (.12%) | 00385 α
- B Class A (.06%) | 00385 α
- C 1/3rd (.04%) | 00385 α
- D 1/10th (.01%) | 00385 α
- X Other, please specify

Temperature Range:

- L -50 to + 200°C
- M -50 to + 450°C
- H -200 to +650°C
- Q +200 to +800°C
- X For specific range please specify

Standard Version

1	Type B	$\Delta t = \pm(0,30 + 0,0050 t)$	-50 400°C
2	Type A	$\Delta t = \pm(0,15 + 0,0020 t)$	-30 350°C
3	Type A	$\Delta t = \pm(0,30 + 0,0050 t)$	-50 ... -30 / 350 ... 400°C
4	Type 1/3 B	$\Delta t = \pm(0,10 + 0,0017 t)$	0 100°C
5	Type 1/3 B	$\Delta t = \pm(0,15 + 0,0020 t)$	-30 ... 0 / 100 ... 350°C
6	Type 1/3 B	$\Delta t = \pm(0,30 + 0,0050 t)$	-50 ... -30 / 350 ... 400°C

Better resistance to vibrations

7	Type B	$\Delta t = \pm(0,30 + 0,0050 t)$	-50 400°C
8	Type A	$\Delta t = \pm(0,15 + 0,0020 t)$	-30 350°C
9	Type A	$\Delta t = \pm(0,30 + 0,0050 t)$	-50 ... -30 / 350 ... 400°C

Extended range of measurement

10	Type B	$\Delta t = \pm(0,30 + 0,0050 t)$	-200 800°C
11	Type A	$\Delta t = \pm(0,15 + 0,0020 t)$	-200 800°C

Sheath Material

- 321 321 SS
- 316 316 SS
- 304 304 SS
- XXX Other, please specify

"L" Sheath Length, please specify

"B" Sheath Diameter

- K 3mm
- N 4.7mm
- R 6 mm
- M 6,35 mm

Leadwire Type

- 1 Stranded Teflon Singles
- 9 Stranded FiberGlass Singles

Leadwire Length "B"

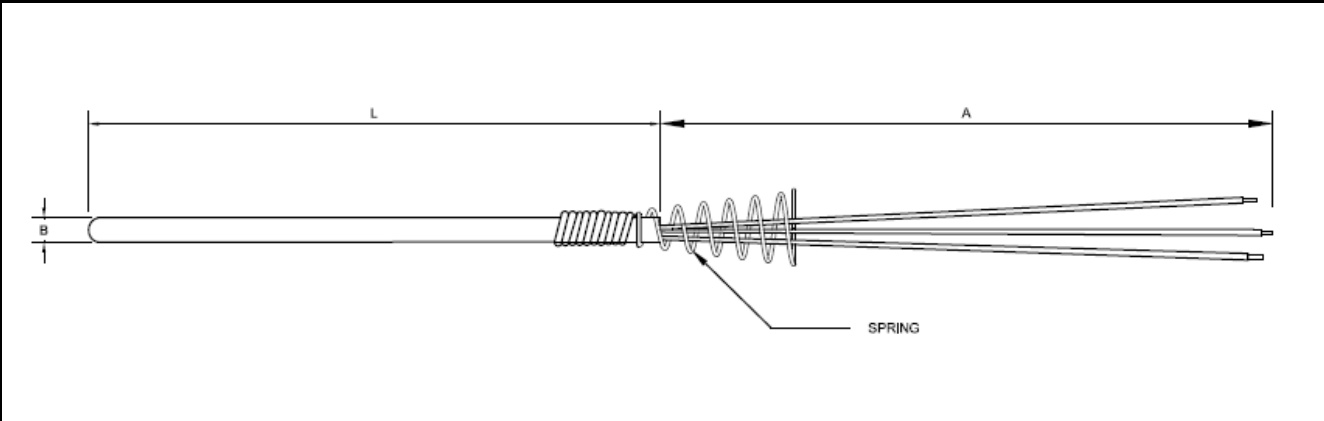
- S Standard 55 mm
- X Other, please specify

Leadwire Terminations

- A None
- B Leads Stripped and Tinned

Please specify here your X or XX selected:

RTD'S Sensing Unit



Ref: RSU-

E											
---	--	--	--	--	--	--	--	--	--	--	--

Sheath Termination

- A Stripped Base Lead
- C Spring Loaded Replacement Element

Element Type

- B Platinum 100w Single 3 Wire
- C Platinum 100w Single 4 Wire
- E Platinum 100w Dual 3 Wire
- F Platinum 100w Dual 4 Wire

Accuracy and Temperature Coefficient

- A Class B (.12%) | 00385 α
- B Class A (.06%) | 00385 α
- C 1/3rd (.04%) | 00385 α
- D 1/10th (.01%) | 00385 α
- X Other, please specify

Temperature Range:

- L -50 to + 200°C
- M -50 to + 450°C
- H -200 to +650°C
- Q +200 to +800°C
- X For specific range please specify

Standard Version

- | | | | |
|---|------------|------------------------------------|-----------------------------|
| 1 | Type B | $\Delta t = \pm(0,30 + 0,0050 t)$ | -50 400°C |
| 2 | Type A | $\Delta t = \pm(0,15 + 0,0020 t)$ | -30 350°C |
| 3 | Type A | $\Delta t = \pm(0,30 + 0,0050 t)$ | -50 ... -30 / 350 ... 400°C |
| 4 | Type 1/3 B | $\Delta t = \pm(0,10 + 0,0017 t)$ | 0 100°C |
| 5 | Type 1/3 B | $\Delta t = \pm(0,15 + 0,0020 t)$ | -30 ... 0 / 100 ... 350°C |
| 6 | Type 1/3 B | $\Delta t = \pm(0,30 + 0,0050 t)$ | -50 ... -30 / 350 ... 400°C |

Better resistance to vibrations

- | | | | |
|---|--------|------------------------------------|-----------------------------|
| 7 | Type B | $\Delta t = \pm(0,30 + 0,0050 t)$ | -50 400°C |
| 8 | Type A | $\Delta t = \pm(0,15 + 0,0020 t)$ | -30 350°C |
| 9 | Type A | $\Delta t = \pm(0,30 + 0,0050 t)$ | -50 ... -30 / 350 ... 400°C |

Extended range of measurement

- | | | | |
|----|--------|------------------------------------|------------------|
| 10 | Type B | $\Delta t = \pm(0,30 + 0,0050 t)$ | -200 800°C |
| 11 | Type A | $\Delta t = \pm(0,15 + 0,0020 t)$ | -200 800°C |

Sheath Material

- | | |
|-----|-----------------------|
| 321 | 321 SS |
| 316 | 316 SS |
| 304 | 304 SS |
| XXX | Other, please specify |

"L" Sheath Length, please specify

"B" Sheath Diameter

- | | |
|---|---------|
| K | 3mm |
| N | 4.7mm |
| R | 6 mm |
| M | 6,35 mm |

Leadwire Type

- | | |
|---|-----------------------------|
| 1 | Stranded Teflon Singles |
| 9 | Stranded FiberGlass Singles |

Leadwire Length "B"

- | | |
|---|-----------------------|
| S | Standard 55 mm |
| X | Other, please specify |

Leadwire Terminations

- | | |
|---|---------------------------|
| A | None |
| B | Leads Stripped and Tinned |

Please specify here your X or XX selected: