

Magnetic Level Gauge

Low Pressure and Vacuum conditions

This type of instrument is based on the laws of magnetic fields, ATC-Control designs and manufactures this instruments in accordance to ASME standards . The most popular chamber configuration allows you access to the float removing the flange at the bottom.

Please fill in the required information:

Product: Clasificated Area (Y/N)

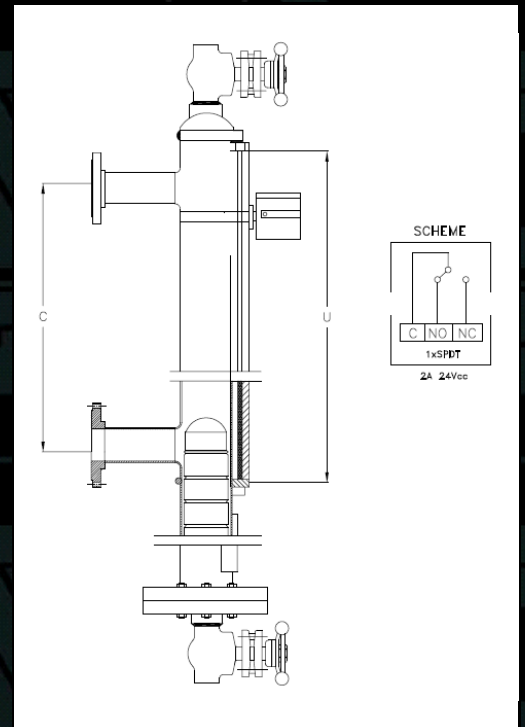
Specific Weight: s.w. Viscosity: cp

Temperature: Min. °C Work °C Max °C

Pressure: Min. bar Work bar Max bar

Centerline length "C":

Minimum Visibility required "U"



Ref:MLP- A SB 06 FL SW FF V 1 1 304 02, 04 AJ, RV

Float Material

A	316/L
E	Engineered Plastic

Connection Configuration

SS	Side-Side
SB	Side-Bottom
UB	Up-Bottom
X	Other, please specify

Instrument Connection

ANSI		DIN	
03	3/4" NPT -M	D03	3/4" BSP -F
06	1" NPT - F	D06	1" BSP - F
09	1" ANSI 150 #	D09	DN 25 PN 16
15	1 1/2" ANSI 150 #	D15	DN 40 PN 16
30	1 1/2" ANSI 300 #	D30	DN 40 PN 25
XX	Other, please specify		

Indicator

FL	Bicolour-Flag
FR	Follower

Flange Type

SW	Socketed Weld
WN	Welding Neck
XX	Other, please specify

Flange Facing

RF	Raised Face RF - C
FF	Flat Face - O
XX	Other, please specify

Gasket Type

V	N.B.R.
S	Spirometallic
T	Textile
X	Other, please specify

Drain Connection

1	1/2" NPT-F + (SS) PLUG
2	3/4" NPT-F + (SS) PLUG

Options

Please Specify 2 digits code as located in this table

AJ, RV Example: AJ, RV

HT	Hydrostatic test ASTM-E-1003-95 and certificate
XR	X-ray inspection test and certificate
PI	Positive material identification test (PMI) and certificate.
DY	Dye penetrans test ASTM-E-1220-05 and certificate.
NT	Hardness test and certificate
RV	Forged root valves.
PC	PTFE coated
AJ	Set point adjustment and certificate
AL	Air cooler extension
DV	Drain/vent valves (please specify materia)
IA	IP 65 adjustable level switch
MS	Aluminium metric scale
LT	Level transmitter with Hart communication
SD	Special project requirements

Documentation

Please Specify 2 digits code as located in this table

02, 04 For example: 02, 04

01	Welding Book (WPS, PQR)
02	Material Certificate EN 10204 3.1
03	Dimensional drawings and parts in project format
04	Installation Manual
05	ATEX 94/9/EC compliance certificate and EC Mark co
06	Certificate of compliance and dimensional control
07	PED 97/23/EC compliance certificate
08	NACE certificate MR0175 / ISO 15156
09	Special project documentation requirements

Vessel Material

316	AISI 316/L
304	AISI 304/L
276	Alloy 276
904	AISI 904L
TIT	Titanium
XX	Other, Please Contact Factory

Vent Connection

1	1/2" NPT-F + (SS) PLUG
2	3/4" NPT-F + (SS) PLUG

Please specify here your X or XX selected:

Magnetic Level Gauge

Low Pressure and Vacuum conditions

This type of instrument is based on the laws of magnetic fields, ATC-Control designs and manufactures this instruments in accordance to ASME standards . The most popular chamber configuration allows you access to the float removing the flange at the bottom.

Please fill in the required information:

Product: Clasificated Area (Y/N)

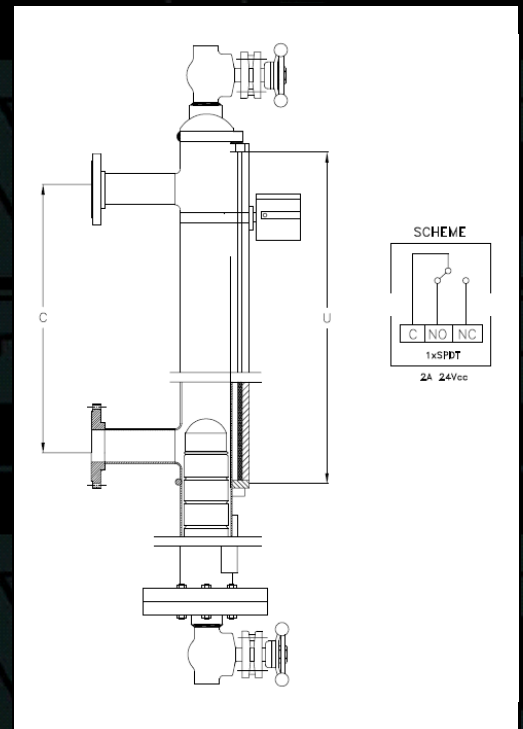
Specific Weight: s.w. Viscosity: cp

Temperature: Min. °C Work °C Max °C

Pressure: Min. bar Work bar Max bar

Centerline length "C":

Minimum Visibility required "U"



Ref:MLP-

Float Material

A	316/L
E	Engineered Plastic

Connection Configuration

SS	Side-Side
SB	Side-Bottom
UB	Up-Bottom
X	Other, please specify

Instrument Connection

ANSI		DIN	
03	3/4" NPT -M	D03	3/4" BSP -F
06	1" NPT - F	D06	1" BSP - F
09	1" ANSI 150 #	D09	DN 25 PN 16
15	1 1/2" ANSI 150 #	D15	DN 40 PN 16
30	1 1/2" ANSI 300 #	D30	DN 40 PN 25
XX	Other, please specify		

Indicator

FL	Bicolour-Flag
FR	Follower

Flange Type

SW	Socked Weld
WN	Welding Neck
XX	Other, please specify

Flange Facing

RF	Raised Face RF - C
FF	Flat Face - O
XX	Other, please specify

Gasket Type

V	N.B.R.
S	Spirometallic
T	Textile
X	Other, please specify

Drain Connection

1	1/2" NPT-F + (SS) PLUG
2	3/4" NPT-F + (SS) PLUG

Options

Please Specify 2 digits code as located in this table

Example: AJ, RV

HT	Hydrostatic test ASTM-E-1003-95 and certificate
XR	X-ray inspection test and certificate
PI	Positive material identification test (PMI) and certificate.
DY	Dye penetrans test ASTM-E-1220-05 and certificate.
NT	Hardness test and certificate
RV	Forged root valves.
PC	PTFE coated
AJ	Set point adjustment and certificate
AL	Air cooler extension
DV	Drain/vent valves (please specify materia)
IA	IP 65 adjustable level switch
MS	Aluminium metric scale
LT	Level transmitter with Hart communication
SD	Special project requirements

Documentation

Please Specify 2 digits code as located in this table

For example: 02, 04

01	Welding Book (WPS, PQR)
02	Material Certificate EN 10204 3.1
03	Dimensional drawings and parts in project format
04	Installation Manual
05	ATEX 94/9/EC compliance certificate and EC Mark co
06	Certificate of compliance and dimensional control
07	PED 97/23/EC compliance certificate
08	NACE certificate MR0175 / ISO 15156
09	Special project documentation requirements

Vessel Material

316	AISI 316/L
304	AISI 304/L
276	Alloy 276
904	AISI 904L
TIT	Titanium
XX	Other, Please Contact Factory

Vent Connection

1	1/2" NPT-F + (SS) PLUG
2	3/4" NPT-F + (SS) PLUG

Please specify here your X or XX selected: