

Magnetic Level Gauge

High and Medium Pressure

This type of instrument is based on the laws of magnetic fields, ATC-Control designs and manufactures this instruments in accordance to ASME standards . The most popular chamber configuration allows you access to the float removing the flange at the bottom.

Please fill in the required information:

Product: Clasificated Area (Y/N)

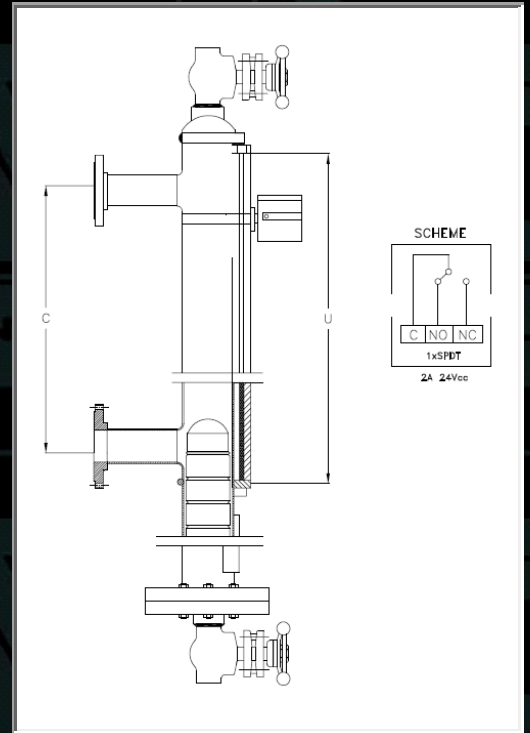
Specific Weight: s.w. Viscosity: cp

Temperature: Min. °C Work °C Max °C

Pressure: Min. bar Work bar Max bar

Centerline length "C":

Minimum Visibility required "U"



Ref:MHP- A 06 US B FD FL SW RF S 1 1 304 02, 04 AJ, RV

Float Material

A	316/L
B	Titanium

Flange Rating

ANSI		DIN	
03	300#	25	PN 25
06	600#	40	PN 40
09	900#	64	PN 64
15	1500#	100	PN 100
XX	Other, please specify		

Connection Configuration

US	Up-Side
SS	Side-Side
BS	Bottom-Side
XX	Other, please specify

Size Connection

ANSI		DIN	
B	3/4"	E	DN 20
C	1"	F	DN 25
D	1 1/2"	G	DN 38

Level Connection

FD	Flanged
BW	Welded Butt Weld
SW	Welded Socket Weld
XX	Other, please specify

Indicator Type

FL	Bicolour-Flag
FR	Follower

Flange Type

SW	Socketed Weld
WN	Welding Neck
XX	Other, please specify

Flange Facing

RF	Raised Face RF - C
RTJ	Ring Type Joint -F/N
XX	Other, please specify

Gasket Type

M	Metallic RTJ
S	Spirometallic
T	Textile
X	Other, please specify

Options

Please Specify 2 digits code as located in this table

AJ, RV

For example: HT, AJ

HT	Hydrostatic test ASTM-E-1003-95 and certificate
XR	X-ray inspection test and certificate
PI	Positive material identification test (PMI) and certificate.
DY	Dye penetrans test ASTM-E-1220-05 and certificate.
NT	Hardness test and certificate
RV	Forged root valves.
PC	PTFE coated
AJ	Set point adjustment and certificate
AL	Air cooler extension
DV	Drain/vent valves (please specify materia)
IA	IP 65 adjustable level switch
MS	Aluminium metric scale
LT	Level transmitter with Hart communication
SD	Special project requirements

Documentation

Please Specify 2 digits code as located in this table

02, 04

For example: 02, 04

01	Welding Book (WPS, PQR)
02	Material Certificate EN 10204 3.1
03	Dimensional drawings and parts in project format
04	Installation Manual
05	ATEX 94/9/EC compliance certificate and EC Mark co
06	Certificate of compliance and dimensional control
07	PED 97/23/EC compliance certificate
08	NACE certificate MR0175 / ISO 15156
09	Special project documentation requirements

Vessel Material

316	AISI 316/L
304	AISI 304/L
276	Alloy 276
904	AISI 904L
TIT	Titanium
XX	Other, Please Contact Factory

Drain Connection

1	1/2" NPT-F + (SS) PLUG
2	3/4" NPT-F + (SS) PLUG

Vent Connection

1	1/2" NPT-F + (SS) PLUG
2	3/4" NPT-F + (SS) PLUG

Please specify here your X or XX selected:

Magnetic Level Gauge

High and Medium Pressure

This type of instrument is based on the laws of magnetic fields, ATC-Control designs and manufactures this instruments in accordance to ASME standards . The most popular chamber configuration allows you access to the float removing the flange at the bottom.

Please fill in the required information:

Product: Clasificated Area (Y/N)

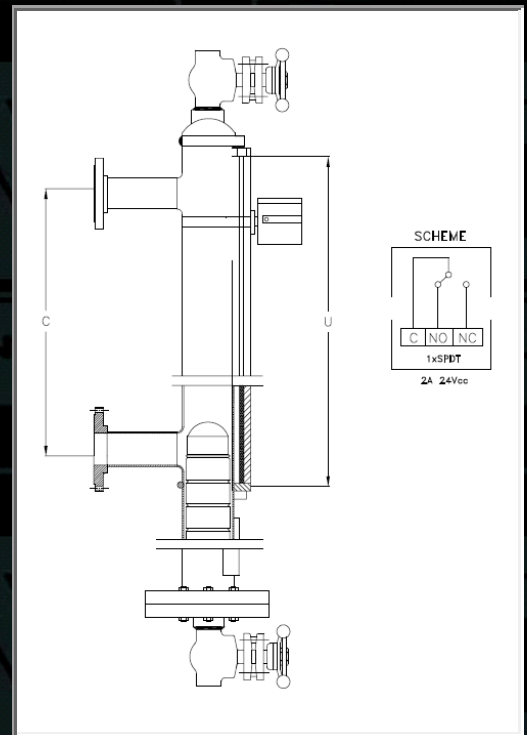
Specific Weight: s.w. Viscosity: cp

Temperature: Min. °C Work °C Max °C

Pressure: Min. bar Work bar Max bar

Centerline length "C":

Minimum Visibility required "U"



Ref:MHP-

Float Material

A	316/L
B	Titanium

Flange Rating

ANSI		DIN	
03	300#	25	PN 25
06	600#	40	PN 40
09	900#	64	PN 64
15	1500#	100	PN 100
XX	Other, please specify		

Connection Configuration

US	Up-Side
SS	Side-Side
BS	Bottom-Side
XX	Other, please specify

Size Connection

ANSI		DIN	
B	3/4"	E	DN 20
C	1"	F	DN 25
D	1 1/2"	G	DN 38

Level Connection

FD	Flanged
BW	Welded Butt Weld
SW	Welded Socket Weld
XX	Other, please specify

Indicator Type

FL	Bicolour-Flag
FR	Follower

Flange Type

SW	Socked Weld
WN	Welding Neck
XX	Other, please specify

Flange Facing

RF	Raised Face RF - C
RTJ	Ring Type Joint -F/N
XX	Other, please specify

Gasket Type

M	Metallic RTJ
S	Spirometallic
T	Textile
XX	Other, please specify

Options

Please Specify 2 digits code as located in this table
For example: HT, AJ

HT	Hydrostatic test ASTM-E-1003-95 and certificate
XR	X-ray inspection test and certificate
PI	Positive material identification test (PMI) and certificate.
DY	Dye penetrans test ASTM-E-1220-05 and certificate.
NT	Hardness test and certificate
RV	Forged root valves.
PC	PTFE coated
AJ	Set point adjustment and certificate
AL	Air cooler extension
DV	Drain/vent valves (please specify materia)
IA	IP 65 adjustable level switch
MS	Aluminium metric scale
LT	Level transmitter with Hart communication
SD	Special project requirements

Documentation

Please Specify 2 digits code as located in this table
For example: 02, 04

01	Welding Book (WPS, PQR)
02	Material Certificate EN 10204 3.1
03	Dimensional drawings and parts in project format
04	Installation Manual
05	ATEX 94/9/EC compliance certificate and EC Mark co
06	Certificate of compliance and dimensional control
07	PED 97/23/EC compliance certificate
08	NACE certificate MR0175 / ISO 15156
09	Special project documentation requirements

Vessel Material

316	AISI 316/L
304	AISI 304/L
276	Alloy 276
904	AISI 904L
TIT	Titanium
XX	Other, Please Contact Factory

Drain Connection

1	1/2" NPT-F + (SS) PLUG
2	3/4" NPT-F + (SS) PLUG

Vent Connection

1	1/2" NPT-F + (SS) PLUG
2	3/4" NPT-F + (SS) PLUG

Please specify here your X or XX selected: