

Restriction Orifice Plate

Single Restriction Orifice Plates are designed to slip between the piping flanges used to reduce fluid pressure, ATC Control manufactures them in a most materials on request.

Please fill in the required information:

Fluid: Classified Area (Y/N):

Specific Weight: s.w. Viscosity: cp

Outside Diameter/Pipe Size: mm/inch

Thickness/Schedule: mm/inch

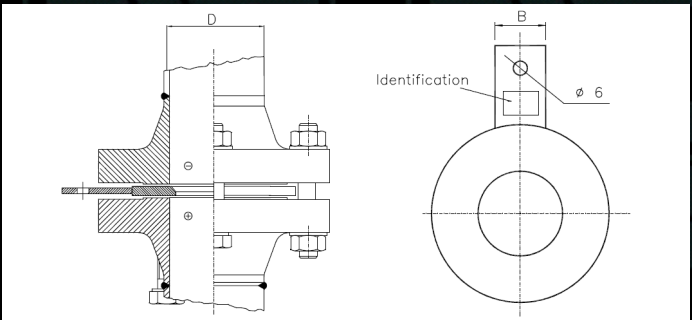
Pressure: Min. bar Work bar Max. bar

Flow: Min. l/s Work l/s Max. l/s

Temperature: Min. °C Work °C Max. °C

Load Loss:

Ref: ROP-



Bore Calculation

- A ASME MFC-3M
- B BS 1042
- C ISO 5167

Restriction Plate Material

- S A182 F316L
- X Other, please specify

Gaskets

- M Metallic
- S Spirometallic
- P Metal-Plastic
- T Removable Restriction Holder Soft Iron for RTJ flanges
- F Fiber + NBR
- X Other, please specify

Flange Schedule

- 010 10
- 10S 10S
- 020 20
- 030 30
- STD STD
- 40S 40S
- 040 40
- 060 60
- 0XS XS
- 80S 80S
- 080 80
- XX Other, Please Specify
- XD If DIN please specify thickness in mm

Flange Size

ANSI		DIN	
A	1"	DN 25	O
B	2"	DN 40	P
C	3"	DN 50	Q
D	4"	DN 65	R
E	6"	DN 100	S
F	8"	DN 150	T
G	10"	DN 200	U
H	12"	DN 250	V
I	14"	DN 300	W
J	16"	DN 350	Y
K	18"	DN 400	Z
L	20"	DN 450	AA
M	22"	DN 500	AB
N	24"	DN 550	AC
X	Other, please specify	DN 600	AD

Options

Please Specify 2 characters code as located in options table (pag 12)

For example: HT, DY

- HT Hydrostatic Test
- DY Dye Penetrants Test

Documentation

Please Specify 1 character code as located in doc. table (pag 13)

For example: A, D, J

- A Calculation data sheet
- K Hardening Treatment
- J Material Certificate EN 10204-3.1

Flanges Material

- A05 A-105
- F05 A-182 F5
- F09 A-182 F9
- F11 A-182 F11
- F22 A-182 F22
- F91 A-182 F91
- 304 A-182 F304/L
- 316 A-182 F316/L
- 904 A-182 F904L
- HAS Hastelloy
- MON Monel
- TIT Titanium
- XX Other, Please Specify

Flange Facing

- RF - C Raised Face RF
- RTJ - F/N Ring Type Joint RTJ
- FF - O Flat Face
- XX Other, please specify

Flange Rating

ANSI		DIN	
A	150#	G	PN 16
B	300#	H	PN 25
C	600#	I	PN 40
D	900#	J	PN 64
E	1500#	K	PN 100
F	2500#	L	PN 250
X		X	Other, please specify

Flange Type

- W Welding Neck
- S Socket Welding
- X Other, please specify

Please specify here your X or XX selected: