

Please fill in the required information:

Fluid: Clasificated Area (Y/N):

Specific Weight: s.w. Viscosity: cp

Outside Diameter/Pipe Size: mm/inch

Thickness/Schedule: mm/inch

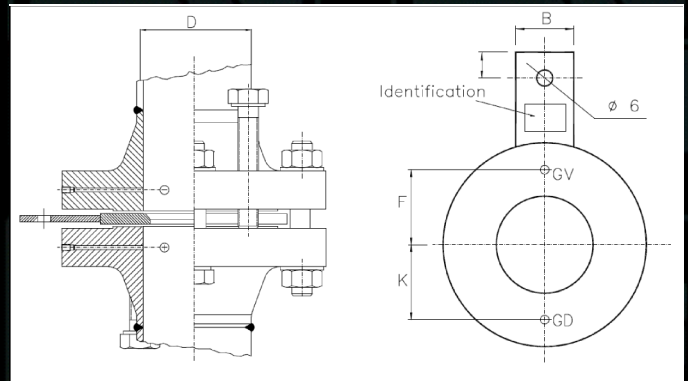
Pressure: Min. bar Work bar Max. bar

Flow: Min. l/s Work l/s Max. l/s

Temperature: Min. °C Work °C Max. °C

Orifice Plate

Orifice Plate manufactured by ATC Control are suitable for a wide range of flow measurement from 2" line size up to customer requirements, being economical and of sufficient accuracy for most applications.



Orifice plate Type

MB	Multiorifice
SE	Square Edge - Clean liquids gases & Steam Reynold 10.000 to 10.000.000
SG	Segmental - Solids in a gas or liquid flow
EC	Eccentric - Liquids with sediment or vapor with vapor deposit
QE	Quadrant Edge - Reynolds 2.000 to 10.000
CO	Conical - Viscous Fluid Reynolds 80 to 2.000
XX	Other, Please Specify

Ref: OP- SG 1 S 4 FT DN P W A RF - C F11 A,H,J HT, DY

Bore Calculation

A	ASME MFC-3M
B	BS 1042
C	ISO 5167

Material Orifice Plate

S	A182 F316L
X	Other, please specify

Taps Qty and Orientation

4	180° - 4 Taps
6	90° - 6 Taps
8	45° - 8 Taps
X	Other, Please Specify

Taps Type

FT	Flange Taps
CT	Corner Taps
PT	Pipe Taps (D&D/2)

Tapping connection

DS	1/2" SW
ES	3/4" SW
DN	1/2" NPT-F
EN	3/4" NPT-F
EP	1/2" NPT-M Pipe
DP	1/2" NPT-F Pipe
XX	Other, please specify

Gaskets

M	Metallic
S	Spirometallic
P	Metal-Plastic
T	Removable Plate Holder RTJ
F	Fiber + NBR
X	Other, please specify

Please specify here your X or XX selected:

Options

Please Specify 2 characters code as located in options table (pag 12)

HT, DY		For example: HT, DY
HT	Hydrostatic Test	
DY	Dye Penetrants Test	

Documentation

Please Specify 1 character code as located in doc. table (pag 13)

A,H,J		For example: A, D, J
A	Calculation data sheet	
D	Weld X-ray Inspection Certificate	
J	Material Certificate EN 10204-3.1	

Flanges Material

A05	A-105
F05	A-182 F5
F09	A-182 F9
F11	A-182 F11
F22	A-182 F22
F91	A-182 F91
304	A-182 F304/L
316	A-182 F316/L
904	A-182 F904L
HAS	Hastelloy
MON	Monel
TIT	Titanium
XX	Other, Please Specify

Flange Facing

RF - C	Raised Face RF
RTJ - F/N	Ring Type Joint RTJ
FF - O	Flat Face
XX	Other, please specify

Flange Rating

ANSI		DIN	
A	300#	F	PN 25
B	600#	G	PN 40
C	900#	H	PN 64
D	1500#	I	PN 100
E	2500#	J	PN 250
		X	Other, please specify

Flange Type

W	Welding Neck
S	Socket Welding
X	Other, please specify

Please fill in the required information:

Fluid: Classified Area (Y/N):

Specific Weight: s.w. Viscosity: cp

Outside Diameter/Pipe Size: mm/inch

Thickness/Schedule: mm/inch

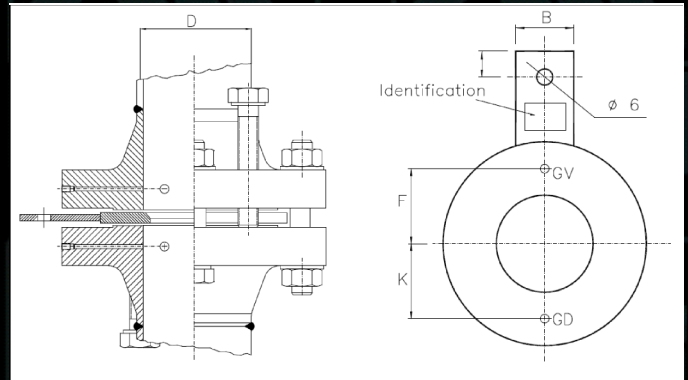
Pressure: Min. bar Work bar Max. bar

Flow: Min. l/s Work l/s Max. l/s

Temperature: Min. °C Work °C Max. °C

Orifice Plate

Orifice Plate manufactured by ATC Control are suitable for a wide range of flow measurement from 2" line size up to customer requirements, being economical and of sufficient accuracy for most applications.



Orifice plate Type

- MB Multiorifice
- SE Square Edge - Clean liquids gases & Steam Reynold 10.000 to 10.000.000
- SG Segmental - Solids in a gas or liquid flow
- EC Eccentric - Liquids with sediment or vapor with vapor deposit
- QE Quadrant Edge - Reynolds 2.000 to 10.000
- CO Conical - Viscous Fluid Reynolds 80 to 2.000
- XX Other, Please Specify

Ref: OP-

Bore Calculation

- A ASME MFC-3M
- B BS 1042
- C ISO 5167

Material Orifice Plate

- S A182 F316L
- X Other, please specify

Taps Qty and Orientation

- 4 180° - 4 Taps
- 6 90° - 6 Taps
- 8 45° - 8 Taps
- X Other, Please Specify

Taps Type

- FT Flange Taps
- CT Corner Taps
- PT Pipe Taps (D&D/2)

Tapping connection

- DS 1/2" SW
- ES 3/4" SW
- DN 1/2" NPT-F
- EN 3/4" NPT-F
- EP 1/2" NPT-M Pipe
- DP 1/2" NPT-F Pipe
- XX Other, please specify

Gaskets

- M Metallic
- S Spirometallic
- P Metal-Plastic
- T Removable Plate Holder RTJ
- F Fiber + NBR
- X Other, please specify

Please specify here your X or XX selected:

Options

Please Specify 2 characters code as located in options table (pag 12)

For example: HT, DY

- HT Hydrostatic Test
- DY Dye Penetrants Test

Documentation

Please Specify 1 character code as located in doc. table (pag 13)

For example: A, D, J

- A Calculation data sheet
- D Weld X-ray Inspection Certificate
- J Material Certificate EN 10204-3.1

Flanges Material

- A05 A-105
- F05 A-182 F5
- F09 A-182 F9
- F11 A-182 F11
- F22 A-182 F22
- F91 A-182 F91
- 304 A-182 F304/L
- 316 A-182 F316/L
- 904 A-182 F904L
- HAS Hastelloy
- MON Monel
- TIT Titanium
- XX Other, Please Specify

Flange Facing

- RF - C Raised Face RF
- RTJ - F/N Ring Type Joint RTJ
- FF - O Flat Face
- XX Other, please specify

Flange Rating

ANSI		DIN	
A	300#	F	PN 25
B	600#	G	PN 40
C	900#	H	PN 64
D	1500#	I	PN 100
E	2500#	J	PN 250
		X	Other, please specify

Flange Type

- W Welding Neck
- S Socket Welding
- X Other, please specify