

Orifice Meter Run

To ensure the necessary straight pipe lengths ATC-CONTROL manufactures Orifice Meter run for lines sizes between 1/2" and 2", the orifice plate and corner taps with piezometric ring are included. Orifice Meter Run are recommended for clean gasses or low velocity steam flows.

Please fill in the required information:

Fluid: Clasificated Area (Y/N):

Specific Weight: s.w. Viscosity: cp

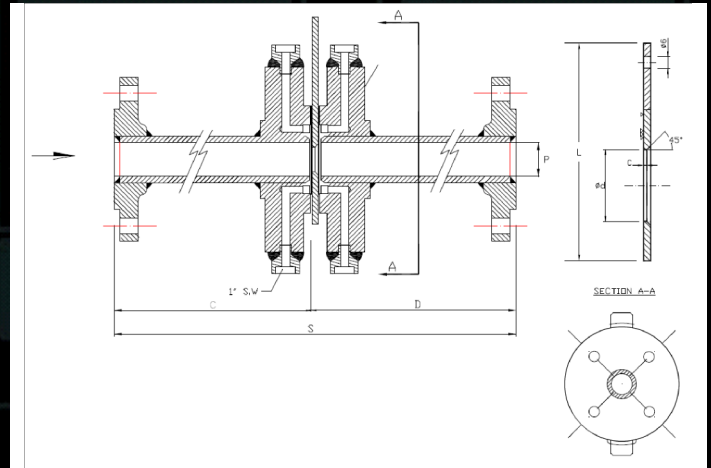
Outside Diameter/Pipe Size: mm/inch

Thickness/Schedule: mm/inch

Pressure: Min. bar Work bar Max. bar

Flow: Min. l/s Work l/s Max. l/s

Temperature: Min. °C Work °C Max. °C



Ref: OMR- 1 S 4 EP 7 F W A RF - C F11 A,H,J HT, DY

Bore Calculation

- A ASME MFC-3M
- B BS 1042
- C ISO 5167

Orifice Meter Material

- S A182 F316L
- X Other, please specify

Taps Qty and Orientation

- 4 180° - 4 Taps Corner Type
- 8 45° - 8 Taps Corner Type
- X Other, Please Specify

Tapping connection

- DS 1/2" SW
- DN 1/2" NPT-F
- EP 1/2" NPT-M Pipe
- DP 1/2" NPT-F Pipe
- XX Other, please specify

Calibrated Section Materials

- 1 A 106 GrB
- 2 A 312 TP304/L
- 3 A 312 TP316/L
- 4 A 312 TP904/L
- 5 A335 P5
- 6 A335 P9
- 7 A335 P11
- 8 A335 P22
- 9 A335 P91
- 10 Hastelloy
- 11 Monel
- 12 Titanium
- X Other, please specify

Section Ends

- F Flanged
- B Butt-Weld (pass to Documentation and Options.)
- T Threaded

Options

Please Specify 2 characters code as located in options table (pag 12)

- HT, DY For example: HT, DY
- HT Hydrostatic Test
- DY Dye Penetrants Test

Documentation

Please Specify 1 character code as located in doc. table (pag 13)

- A,H,J For example: A, D, J
- A Calculation data sheet
- D Weld X-ray Inspection Certificate
- J Material Certificate EN 10204-3.1

Flanges Material

- A05 A-105
- F05 A-182 F5
- F09 A-182 F9
- F11 A-182 F11
- F22 A-182 F22
- F91 A-182 F91
- 304 A-182 F304/L
- 316 A-182 F316/L
- 904 A-182 F904L
- HAS Hastelloy
- MON Monel
- TIT Titanium
- XX Other, Please Specify

End Flange Facing

- RF - Raised Face RF
- RTJ - Ring Type Joint RTJ
- FF - Flat Face
- XX Other, please specify

End Flange Rating

ANSI		DIN	
A	150#	G	PN 16
B	300#	H	PN 25
C	600#	I	PN 40
D	900#	J	PN 64
E	1500#	K	PN 100
F	2500#	L	PN 250
		X	Other, please specify

End Flange Type

- W Welding Neck
- S Socket Welding
- X Other, please specify

Please specify here your X or XX selected:

Orifice Meter Run

To ensure the necessary straight pipe lengths ATC-CONTROL manufactures Orifice Meter run for lines sizes between 1/2" and 2", the orifice plate and corner taps with piezometric ring are included. Orifice Meter Run are recommended for clean gasses or low velocity steam flows.

Please fill in the required information:

Fluid: Clasificated Area (Y/N):

Specific Weight: s.w. Viscosity: cp

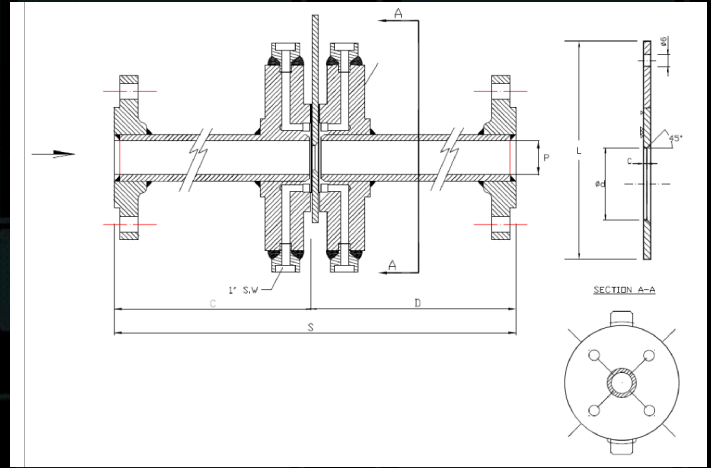
Outside Diameter/Pipe Size: mm/inch

Thickness/Schedule: mm/inch

Pressure: Min. bar Work bar Max. bar

Flow: Min. l/s Work l/s Max. l/s

Temperature: Min. °C Work °C Max. °C



Ref: OMR-

Bore Calculation

- A ASME MFC-3M
- B BS 1042
- C ISO 5167

Orifice Meter Material

- S A182 F316L
- X Other, please specify

Taps Qty and Orientation

- 4 180° - 4 Taps Corner Type
- 8 45° - 8 Taps Corner Type
- X Other, Please Specify

Tapping connection

- DS 1/2" SW
- DN 1/2" NPT-F
- EP 1/2" NPT-M Pipe
- DP 1/2" NPT-F Pipe
- XX Other, please specify

Calibrated Section Materials

- 1 A 106 GrB
- 2 A 312 TP304/L
- 3 A 312 TP316/L
- 4 A 312 TP904/L
- 5 A335 P5
- 6 A335 P9
- 7 A335 P11
- 8 A335 P22
- 9 A335 P91
- 10 Hastelloy
- 11 Monel
- 12 Titanium
- X Other, please specify

Section Ends

- F Flanged
- B Butt-Weld (pass to Documentation and Options.)
- T Threaded

Please specify here your X or XX selected:

Options

Please Specify 2 characters code as located in options table (pag 12)
For example: HT, DY

- HT Hydrostatic Test
- DY Dye Penetrants Test

Documentation

Please Specify 1 character code as located in doc. table (pag 13)
For example: A, D, J

- A Calculation data sheet
- D Weld X-ray Inspection Certificate
- J Material Certificate EN 10204-3.1

Flanges Material

- A05 A-105
- F05 A-182 F5
- F09 A-182 F9
- F11 A-182 F11
- F22 A-182 F22
- F91 A-182 F91
- 304 A-182 F304/L
- 316 A-182 F316/L
- 904 A-182 F904L
- HAS Hastelloy
- MON Monel
- TIT Titanium
- XX Other, Please Specify

End Flange Facing

- RF - Raised Face RF
- RTJ - Ring Type Joint RTJ
- FF - Flat Face
- XX Other, please specify

End Flange Rating

ANSI		DIN	
A	150#	G	PN 16
B	300#	H	PN 25
C	600#	I	PN 40
D	900#	J	PN 64
E	1500#	K	PN 100
F	2500#	L	PN 250
		X	Other, please specify

End Flange Type

- W Welding Neck
- S Socket Welding
- X Other, please specify