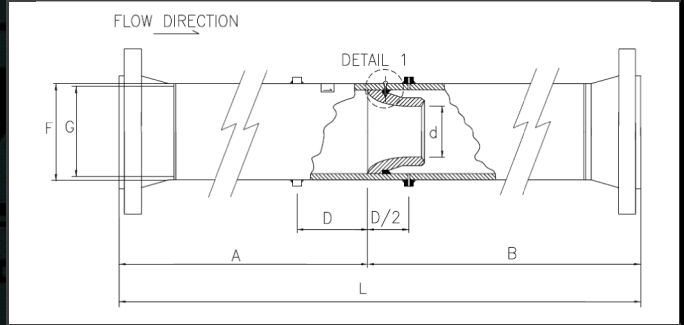


Nozzles Calibrated Section

Nozzles are used to determine a fluid's flowrate through a pipe. Higher coefficient of discharge and efficient than other flow meters of the same size. ACT-CONTROL manufactures with regard to customer requirement from 1" and above nozzles used for high-velocity, temperature and pressure applications indicated for corrosive flow media. Used for clean and non-viscous media as steam, water, air or gas with standard accuracy.



Please fill in the required information:

Fluid: Classified Area (Y/N):

Specific Weight: s.w. Viscosity: cp

Outside Diameter/Pipe Size: mm/inch

Thickness/Schedule: mm/inch

Pressure: Min. bar Work bar Max. bar

Flow: Min. l/s Work l/s Max. l/s

Temperature: Min. °C Work °C Max. °C

Ref: NCS- A 1 S 4 FT DN 7 F W A RF - C F11 A,H,J HT, DY

Nozzle Type

A	Long Radius Low Beta (D, D/2 taps)
B	Long Radius High Beta(D, D/2 taps)
C	ISA 1932 (Coner Taps)

Bore Calculation

A	ASME MFC-3M
B	BS 1042
C	ISO 5167

Nozzle Material

S	A182 F316L
X	Other, please specify

Taps Qty and Orientation

4	180° - 4 Taps
6	90° - 6 Taps
8	45° - 8 Taps
X	Other, Please Specify

Taps Type

FT	Flange Taps
CT	Corner Taps
PT	Pipe Taps (D&D/2)

Tapping connection

DS	1/2" SW
ES	3/4" SW
DN	1/2" NPT-F
EN	3/4" NPT-F
EP	1/2" NPT-M Pipe
DP	1/2" NPT-F Pipe
XX	Other, please specify

Calibrated Section Materials

1	A 106 GrB
2	A 312 TP304/L
3	A 312 TP316/L
4	A 312 TP904/L
5	A335 P5
6	A335 P9
7	A335 P11
8	A335 P22
9	A335 P91
10	Hastelloy
11	Monel
12	Titanium
X	Other, please specify

Section Ends

F	Flanged
B	Butt-Weld (pass to Documentation and Options.)

Options

Please Specify 2 characters code as located in options table (pag 12)

HT, DY For example: HT, DY	
HT	Hydrostatic Test
DY	Dye Penetrants Test

Documentation

Please Specify 1 character code as located in doc. table (pag 13)

A,H,J For example: A, D, J	
A	Calculation data sheet
H	Balance Chamber
J	Material Certificate EN 10204-3.1

Flanges Material

A05	A-105
F05	A-182 F5
F09	A-182 F9
F11	A-182 F11
F22	A-182 F22
F91	A-182 F91
304	A-182 F304/L
316	A-182 F316/L
904	A-182 F904L
HAS	Hastelloy
MON	Monel
TIT	Titanium
XX	Other, Please Specify

Flange Facing

RF - C	Raised Face RF
RTJ - F/N	Ring Type Joint RTJ
FF - O	Flat Face
XX	Other, please specify

Flange Rating

ANSI		DIN	
A	150#	G	PN 16
B	300#	H	PN 25
C	600#	I	PN 40
D	900#	J	PN 64
E	1500#	K	PN 100
F	2500#	L	PN 250
X	Other, please specify	X	Other, please specify

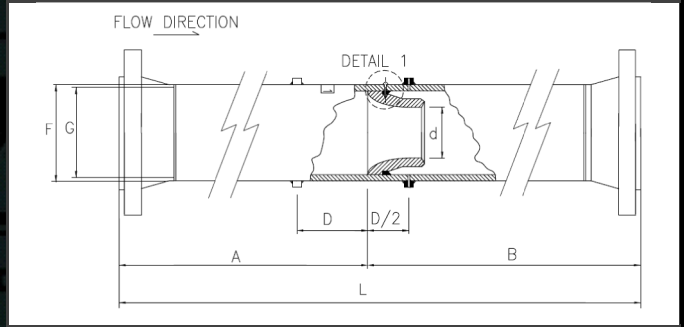
Flange Type

W	Welding Neck
S	Socket Welding
X	Other, please specify

Please specify here your X or XX selected:

Nozzles Calibrated Section

Nozzles are used to determine a fluid's flowrate through a pipe. Higher coefficient of discharge and efficient than other flow meters of the same size. ACT-CONTROL manufactures with regard to customer requirement from 1" and above nozzles used for high-velocity, temperature and pressure applications indicated for corrosive flow media. Used for clean and non-viscous media as steam, water, air or gas with standard accuracy.



Please fill in the required information:

Fluid: Clasificated Area (Y/N):

Specific Weight: s.w. Viscosity: cp

Outside Diameter/Pipe Size: mm/inch

Thickness/Schedule: mm/inch

Pressure: Min. bar Work bar Max. bar

Flow: Min. l/s Work l/s Max. l/s

Temperature: Min. °C Work °C Max. °C

Ref: NCS-

Nozzle Type

- A Long Radius Low Beta (D, D/2 taps)
- B Long Radius High Beta(D, D/2 taps)
- C ISA 1932 (Coner Taps)

Bore Calculation

- A ASME MFC-3M
- B BS 1042
- C ISO 5167

Nozzle Material

- S A182 F316L
- X Other, please specify

Taps Qty and Orientation

- 4 180° - 4 Taps
- 6 90° - 6 Taps
- 8 45° - 8 Taps
- X Other, Please Specify

Taps Type

- FT Flange Taps
- CT Corner Taps
- PT Pipe Taps (D&D/2)

Tapping connection

- DS 1/2" SW
- ES 3/4" SW
- DN 1/2" NPT-F
- EN 3/4" NPT-F
- EP 1/2" NPT-M Pipe
- DP 1/2" NPT-F Pipe
- XX Other, please specify

Calibrated Section Materials

- 1 A 106 GrB
- 2 A 312 TP304/L
- 3 A 312 TP316/L
- 4 A 312 TP904/L
- 5 A335 P5
- 6 A335 P9
- 7 A335 P11
- 8 A335 P22
- 9 A335 P91
- 10 Hastelloy
- 11 Monel
- 12 Titanium
- X Other, please specify

Section Ends

- F Flanged
- B Butt-Weld (pass to Documentation and Options.)

Options

Please Specify 2 characters code as located in options table (pag 12)
For example: HT, DY

- HT Hydrostatic Test
- DY Dye Penetrants Test

Documentation

Please Specify 1 character code as located in doc. table (pag 13)
For example: A, D, J

- A Calculation data sheet
- H Balance Chamber
- J Material Certificate EN 10204-3.1

Flanges Material

- A05 A-105
- F05 A-182 F5
- F09 A-182 F9
- F11 A-182 F11
- F22 A-182 F22
- F91 A-182 F91
- 304 A-182 F304/L
- 316 A-182 F316/L
- 904 A-182 F904L
- HAS Hastelloy
- MON Monel
- TIT Titanium
- XX Other, Please Specify

Flange Facing

- RF - C Raised Face RF
- RTJ - F/N Ring Type Joint RTJ
- FF - O Flat Face
- XX Other, please specify

Flange Rating

ANSI		DIN	
A	150#	G	PN 16
B	300#	H	PN 25
C	600#	I	PN 40
D	900#	J	PN 64
E	1500#	K	PN 100
F	2500#	L	PN 250
		X	Other, please specify

Flange Type

- W Welding Neck
- S Socket Welding
- X Other, please specify

Please specify here your X or XX selected: