

Low Loss Venturi

Low Loss Venturi is manufactured by ATC Control to meet differential-producing flow requirements within an specific beta ratio. Designed to create a low permanent pressure loss. Many flow applications perfectly fits with Low Loss Venturi due to the basic design, the reduced cost of operating and installation and a large range of available materials.

Please fill in the required information:

Fluid: Clasificated Area (Y/N):

Specific Weight: s.w. Viscosity: cp

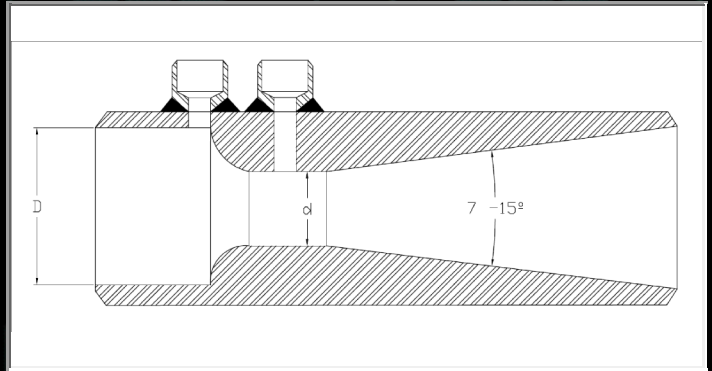
Outside Diameter/Pipe Size: mm/inch

Thickness/Schedule: mm/inch

Pressure: Min. bar Work bar Max. bar

Flow: Min. l/s Work l/s Max. l/s

Temperature: Min. °C Work °C Max. °C



Ref: LLV- 1 XX 4 EP F11 F W A RF - C F11 A,H,J HT, DY

Bore Calculation

A	ASME MFC-3M
B	BS 1042
C	ISO 5167

Outlet Angle

XX	7° to 15°
ST	15°

Taps Qty and Orientation

4	180° - 4 Taps
6	90° - 6 Taps
8	45° - 8 Taps
X	Other, Please Specify

Tapping conn.

DS	1/2" SW
ES	3/4" SW
DN	1/2" NPT-F
EN	3/4" NPT-F
EP	1/2" NPT-M Pipe
DP	1/2" NPT-F Pipe
XX	Other, please specify

Venturi Material

A05	A-105
F05	A-182 F5
F09	A-182 F9
F11	A-182 F11
F22	A-182 F22
F91	A-182 F91
304	A-182 F304/L
316	A-182 F316/L
904	A-182 F904L
HAS	Hastelloy
MON	Monel
TIT	Titanium
XX	Other, Please Specify

Section Ends

F	Flanged
B	Butt-Weld (pass to Documentation and Options.)

Please specify here your X or XX selected:

Options

Please Specify 2 characters code as located in options table (pag 12)

HT, DY		For example: HT, DY
HT	Hydrostatic Test	
DY	Dye Penetrants Test	

Documentation

Please Specify 1 character code as located in doc. table (pag 13)

A,H,J		For example: A, D, J
A	Calculation data sheet	
H	Balance Chamber	
J	Material Certificate EN 10204-3.1	

Flanges Material

A05	A-105
F05	A-182 F5
F09	A-182 F9
F11	A-182 F11
F22	A-182 F22
F91	A-182 F91
304	A-182 F304/L
316	A-182 F316/L
904	A-182 F904L
HAS	Hastelloy
MON	Monel
TIT	Titanium
XX	Other, Please Specify

Flange Facing

RF - C	Raised Face RF
RTJ - F/N	Ring Type Joint RTJ
FF - O	Flat Face
XX	Other, please specify

Flange Rating

ANSI		DIN	
A	150#	G	PN 16
B	300#	H	PN 25
C	600#	I	PN 40
D	900#	J	PN 64
E	1500#	K	PN 100
F	2500#	L	PN 250
		X	Other, please specify

Flange Type

W	Welding Neck
S	Socket Welding
X	Other, please specify

Low Loss Venturi

Low Loss Venturi is manufactured by ATC Control to meet differential-producing flow requirements within an specific beta ratio. Designed to create a low permanent pressure loss. Many flow applications perfectly fits with Low Loss Venturi due to the basic design, the reduced cost of operating and installation and a large range of available materials.

Please fill in the required information:

Fluid: Classified Area (Y/N):

Specific Weight: s.w. Viscosity: cp

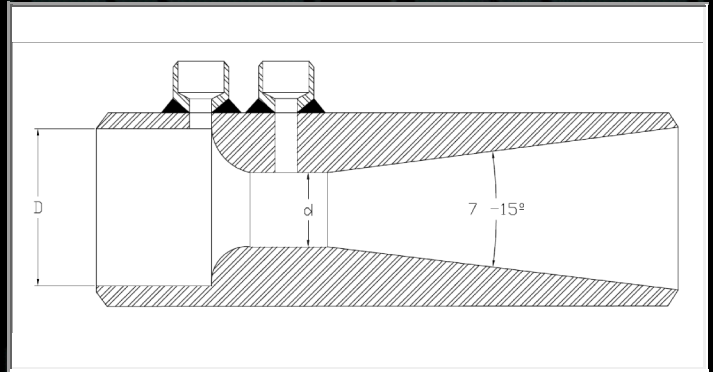
Outside Diameter/Pipe Size: mm/inch

Thickness/Schedule: mm/inch

Pressure: Min. bar Work bar Max. bar

Flow: Min. l/s Work l/s Max. l/s

Temperature: Min. °C Work °C Max. °C



Ref: LLV-

Bore Calculation

- A ASME MFC-3M
- B BS 1042
- C ISO 5167

Outlet Angle

- XX 7° to 15°
- ST 15°

Taps Qty and Orientation

- 4 180° - 4 Taps
- 6 90° - 6 Taps
- 8 45° - 8 Taps
- X Other, Please Specify

Tapping conn.

- DS 1/2" SW
- ES 3/4" SW
- DN 1/2" NPT-F
- EN 3/4" NPT-F
- EP 1/2" NPT-M Pipe
- DP 1/2" NPT-F Pipe
- XX Other, please specify

Venturi Material

- A05 A-105
- F05 A-182 F5
- F09 A-182 F9
- F11 A-182 F11
- F22 A-182 F22
- F91 A-182 F91
- 304 A-182 F304/L
- 316 A-182 F316/L
- 904 A-182 F904L
- HAS Hastelloy
- MON Monel
- TIT Titanium
- XX Other, Please Specify

Section Ends

- F Flanged
- B Butt-Weld (pass to Documentation and Options.)

Please specify here your X or XX selected:

Options

Please Specify 2 characters code as located in options table (pag 12)

For example: HT, DY

- HT Hydrostatic Test
- DY Dye Penetrants Test

Documentation

Please Specify 1 character code as located in doc. table (pag 13)

For example: A, D, J

- A Calculation data sheet
- H Balance Chamber
- J Material Certificate EN 10204-3.1

Flanges Material

- A05 A-105
- F05 A-182 F5
- F09 A-182 F9
- F11 A-182 F11
- F22 A-182 F22
- F91 A-182 F91
- 304 A-182 F304/L
- 316 A-182 F316/L
- 904 A-182 F904L
- HAS Hastelloy
- MON Monel
- TIT Titanium
- XX Other, Please Specify

Flange Facing

- RF - C Raised Face RF
- RTJ - F/N Ring Type Joint RTJ
- FF - O Flat Face
- XX Other, please specify

Flange Rating

ANSI		DIN	
A	150#	G	PN 16
B	300#	H	PN 25
C	600#	I	PN 40
D	900#	J	PN 64
E	1500#	K	PN 100
F	2500#	L	PN 250
		X	Other, please specify

Flange Type

- W Welding Neck
- S Socket Welding
- X Other, please specify