

# Barstock Herschel Venturi

Low installation costs, vertically or horizontally, lower susceptibility to erosion, low permanent pressure loss and the possibility of using them on slurries and dirty fluids are some of the benefits of the venturi tubes, which ATC Control manufactures them in a wide range of variety.

Please fill in the required information:

Fluid:  Clasificated Area (Y/N):

Specific Weight:  s.w. Viscosity:  cp

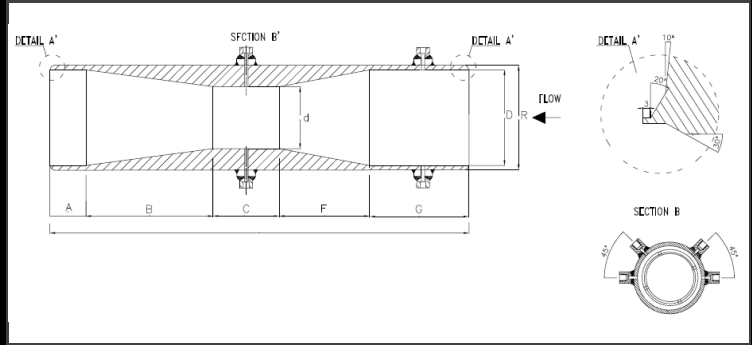
Outside Diameter/Pipe Size:  mm/inch

Thickness/Schedule:  mm/inch

Pressure: Min.  bar Work  bar Max.  bar

Flow: Min.  l/s Work  l/s Max.  l/s

Temperature: Min.  °C Work  °C Max.  °C



Ref: BHV- 1 S XX 8 ES F11 M W A RTJ - F/N F11 A,H,J HT, DY

### Bore Calculation

|   |             |
|---|-------------|
| A | ASME MFC-3M |
| B | BS 1042     |
| C | ISO 5167    |

### Conical Divergent outlet

|   |           |
|---|-----------|
| L | Longtype  |
| S | Truncated |

### Outlet Angle

|    |           |
|----|-----------|
| XX | 7° to 15° |
| ST | 15°       |

### Taps Qty and Orientation

|   |                       |
|---|-----------------------|
| 4 | 180° - 4 Taps         |
| 6 | 90° - 6 Taps          |
| 8 | 45° - 8 Taps          |
| X | Other, Please Specify |

### Tapping connection

|    |                       |
|----|-----------------------|
| DS | 1/2" SW               |
| ES | 3/4" SW               |
| DN | 1/2" NPT-F            |
| EN | 3/4" NPT-F            |
| EP | 1/2" NPT-M Pipe       |
| DP | 1/2" NPT-F Pipe       |
| XX | Other, please specify |

### Venturi Material

|     |                       |
|-----|-----------------------|
| F05 | A-182 F5              |
| F06 | A-106 Gr B            |
| F09 | A-182 F9              |
| F11 | A-182 F11             |
| F22 | A-182 F22             |
| F91 | A-182 F91             |
| 304 | A-182 F304/L          |
| 316 | A-182 F316/L          |
| 904 | A-182 F904L           |
| HAS | Hastelloy             |
| MO  | Monel                 |
| TIT | Titanium              |
| XX  | Other, please specify |

### Section Ends

|   |  |
|---|--|
| F | Flanged  |
| B | Butt-Weld (pass to Documentation and Options.) |
| T | Threaded                                       |

### Options

Please Specify 2 characters code as located in options table (pag 12)

HT, DY For example: HT, DY

|    |                     |
|----|---------------------|
| HT | Hydrostatic Test    |
| DY | Dye Penetrants Test |

### Documentation

Please Specify 1 character code as located in doc. table (pag 13)

A,H,J For example: A, D, J

|   |                                   |
|---|-----------------------------------|
| A | Calculation data sheet            |
| H | Balance Chamber                   |
| J | Material Certificate EN 10204-3.1 |

### Flanges Material

|     |                       |
|-----|-----------------------|
| A05 | A-105                 |
| F05 | A-182 F5              |
| F09 | A-182 F9              |
| F11 | A-182 F11             |
| F22 | A-182 F22             |
| F91 | A-182 F91             |
| 304 | A-182 F304/L          |
| 316 | A-182 F316/L          |
| 904 | A-182 F904L           |
| HAS | Hastelloy             |
| MON | Monel                 |
| TIT | Titanium              |
| XX  | Other, Please Specify |

### Flange Facing

|           |                       |
|-----------|-----------------------|
| RF - C    | Raised Face RF        |
| RTJ - F/N | Ring Type Joint RTJ   |
| FF - O    | Flat Face             |
| XX        | Other, please specify |

### Flange Rating

| ANSI |       | DIN |                       |
|------|-------|-----|-----------------------|
| A    | 150#  | G   | PN 16                 |
| B    | 300#  | H   | PN 25                 |
| C    | 600#  | I   | PN 40                 |
| D    | 900#  | J   | PN 64                 |
| E    | 1500# | K   | PN 100                |
| F    | 2500# | L   | PN 250                |
| X    |       | X   | Other, please specify |

### Flange Type

|   |                       |
|---|-----------------------|
| W | Welding Neck          |
| S | Socket Welding        |
| X | Other, please specify |

Please specify here your X or XX selected:

# Barstock Herschel Venturi

Low installation costs, vertically or horizontally, lower susceptibility to erosion, low permanent pressure loss and the possibility of using them on slurries and dirty fluids are some of the benefits of the venturi tubes, which ATC Control manufactures them in a wide range of variety.

Please fill in the required information:

Fluid:  Clasificated Area (Y/N):

Specific Weight:  s.w. Viscosity:  cp

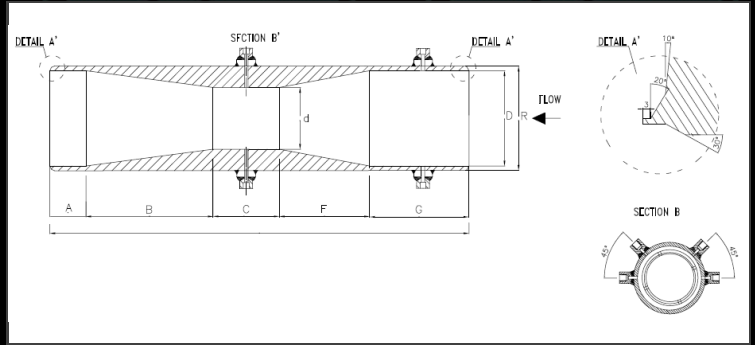
Outside Diameter/Pipe Size:  mm/inch

Thickness/Schedule:  mm/inch

Pressure: Min.  bar Work  bar Max.  bar

Flow: Min.  l/s Work  l/s Max.  l/s

Temperature: Min.  °C Work  °C Max.  °C



Ref: BHV-

### Bore Calculation

- A ASME MFC-3M
- B BS 1042
- C ISO 5167

### Conical Divergent outlet

- L Longtype
- S Truncated

### Outlet Angle

- XX 7° to 15°
- ST 15°

### Taps Qty and Orientation

- 4 180° - 4 Taps
- 6 90° - 6 Taps
- 8 45° - 8 Taps
- X Other, Please Specify

### Tapping connection

- DS 1/2" SW
- ES 3/4" SW
- DN 1/2" NPT-F
- EN 3/4" NPT-F
- EP 1/2" NPT-M Pipe
- DP 1/2" NPT-F Pipe
- XX Other, please specify

### Venturi Material

- F05 A-182 F5
- F06 A-106 Gr B
- F09 A-182 F9
- F11 A-182 F11
- F22 A-182 F22
- F91 A-182 F91
- 304 A-182 F304/L
- 316 A-182 F316/L
- 904 A-182 F904L
- HAS Hastelloy
- MO Monel
- TIT Titanium
- XX Other, please specify

### Section Ends

- F Flanged
- B Butt-Weld (pass to Documentation and Options.)
- T Threaded

### Options

Please Specify 2 characters code as located in options table (pag 12)

- HT Hydrostatic Test
- DY Dye Penetrants Test

### Documentation

Please Specify 1 character code as located in doc. table (pag 13)

- A Calculation data sheet
- H Balance Chamber
- J Material Certificate EN 10204-3.1

### Flanges Material

- A05 A-105
- F05 A-182 F5
- F09 A-182 F9
- F11 A-182 F11
- F22 A-182 F22
- F91 A-182 F91
- 304 A-182 F304/L
- 316 A-182 F316/L
- 904 A-182 F904L
- HAS Hastelloy
- MON Monel
- TIT Titanium
- XX Other, Please Specify

### Flange Facing

- RF - C Raised Face RF
- RTJ - F/N Ring Type Joint RTJ
- FF - O Flat Face
- XX Other, please specify

### Flange Rating

| ANSI |       | DIN |                       |
|------|-------|-----|-----------------------|
| A    | 150#  | G   | PN 16                 |
| B    | 300#  | H   | PN 25                 |
| C    | 600#  | I   | PN 40                 |
| D    | 900#  | J   | PN 64                 |
| E    | 1500# | K   | PN 100                |
| F    | 2500# | L   | PN 250                |
|      |       | X   | Other, please specify |

### Flange Type

- W Welding Neck
- S Socket Welding
- X Other, please specify

Please specify here your X or XX selected: