

Average Pitot Tubes

Average Pitot tube is a multiport self averaging flow meter, it's low cost installation and offered as simple and available in a wide range of sizes, are widely used for large line sizes or ducts where other primary devices become relatively expensive. When low pressure loss is required ATC-Control recommend it. Some applications are measuring clean gas or liquids.

Please fill in the required information:

Fluid: Classified Area (Y/N):

Specific Weight: s.w. Viscosity: cp

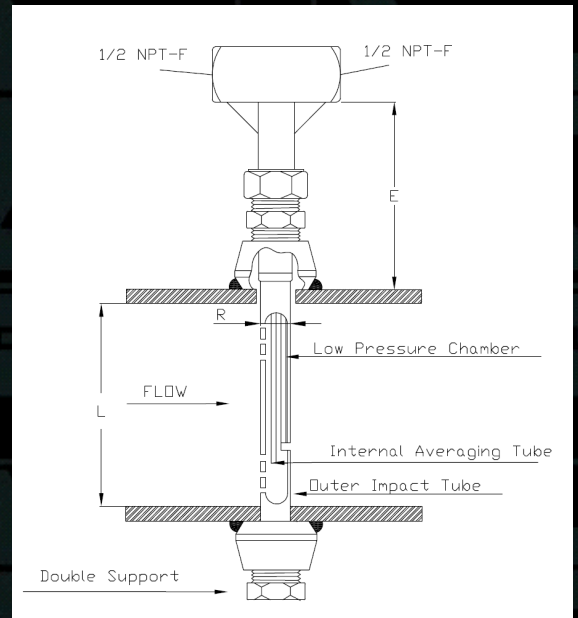
Outside Diameter/Pipe Size: mm/inch

Thickness/Schedule: mm/inch

Pressure: Min. bar Work bar Max. bar

Flow: Min. l/s Work l/s Max. l/s

Temperature: Min. °C Work °C Max. °C



Ref: APT- 1 030 F 1 D Y Y A RTJ - F/N 304 003, 008 HT, DY

Average Pitot Material

1	AISI 316Ti
2	ALLOY 20
3	Aluminium
X	Other, please specify

Flange Schedule

010	10
10S	10S
020	20
030	30
STD	STD
40S	40S
040	40
060	60
0XS	XS
80S	80S
080	80
XX	Other, Please Specify
XD	If DIN please specify thickness in

Flange Size

ANSI		DIN	
E	8"	DN 200	R
F	10"	DN 250	S
G	12"	DN 300	T
H	14"	DN 350	U
I	16"	DN 400	V
J	18"	DN 450	W
K	20"	DN 500	Y
L	22"	DN 550	Z
M	24"	DN 600	AA
X	Other, Please Specify		

Process Connection

F	Flanged
T	Threaded
X	Other, please specify

Support

S	Single
D	Double

Hott Tap Valve

Y	Yes
N	No

Isolation Valves

Y	Yes
N	No

Options

Please Specify 2 characters code as located in options table (pag 12)

HT, DY For example: HT, DY

HT	Hydrostatic Test
DY	Dye Penetrants Test

Documentation

Please Specify 1 character code as located in doc. table (pag 13)

003, 008 For example: 003, 008

003	Material Certificate EN 10204-3.1
008	Certificate of compliance and dimensional control

Flanges Material

A05	A-105
304	A-182 F304/L
316	A-182 F316/L
904	A-182 F904L
HAS	Hastelloy
MON	Monel
TIT	Titanium
XX	Other, Please Specify

Flange Facing

RF - C	Raised Face RF
FF - O	Flat Face
XX	Other, please specify

Flange Rating

ANSI		DIN	
A	150#	G	PN 16
B	300#	H	PN 25
		I	PN 40
		X	Other, please specify

Please specify here your X or XX selected:

Average Pitot Tubes

Average Pitot tube is a multiport self averaging flow meter, it's low cost installation and offered as simple and available in a wide range of sizes, are widely used for large line sizes or ducts where other primary devices become relatively expensive. When low pressure loss is required ATC-Control recommend it. Some applications are measuring clean gas or liquids.

Please fill in the required information:

Fluid: Clasificated Area (Y/N):

Specific Weight: s.w. Viscosity: cp

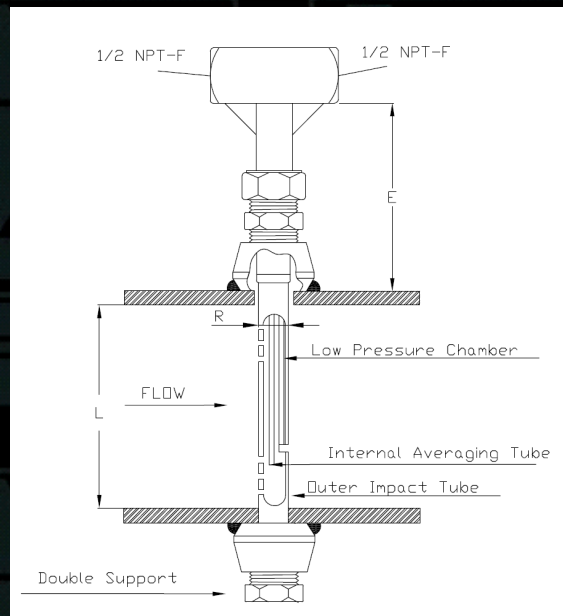
Outside Diameter/Pipe Size: mm/inch

Thickness/Schedule: mm/inch

Pressure: Min. bar Work bar Max. bar

Flow: Min. l/s Work l/s Max. l/s

Temperature: Min. °C Work °C Max. °C



Ref: APT-

Average Pitot Material

1	AISI 316Ti
2	ALLOY 20
3	Aluminium
X	Other, please specify

Flange Schedule

010	10
10S	10S
020	20
030	30
STD	STD
40S	40S
040	40
060	60
0XS	XS
80S	80S
080	80
XX	Other, Please Specify
XD	If DIN please specify thickness in

Flange Size

ANSI		DIN	
E	8"	DN 200	R
F	10"	DN 250	S
G	12"	DN 300	T
H	14"	DN 350	U
I	16"	DN 400	V
J	18"	DN 450	W
K	20"	DN 500	Y
L	22"	DN 550	Z
M	24"	DN 600	AA
X	Other, Please Specify		

Process Connection

F	Flanged
T	Threaded
X	Other, please specify

Support

S	Single
D	Double

Hott Tap Valve

Y	Yes
N	No

Isolation Valves

Y	Yes
N	No

Options

Please Specify 2 characters code as located in options table (pag 12)

<input type="text"/>	
For example: HT, DY	
HT	Hydrostatic Test
DY	Dye Penetrants Test

Documentation

Please Specify 1 character code as located in doc. table (pag 13)

<input type="text"/>	
For example: 003, 008	
003	Material Certificate EN 10204-3.1
008	Certificate of compliance and dimensional control

Flanges Material

A05	A-105
304	A-182 F304/L
316	A-182 F316/L
904	A-182 F904L
HAS	Hastelloy
MON	Monel
TIT	Titanium
XX	Other, Please Specify

Flange Facing

RF - C	Raised Face RF
FF - O	Flat Face
XX	Other, please specify

Flange Rating

ANSI		DIN	
A	150#	G	PN 16
B	300#	H	PN 25
		I	PN 40
		X	Other, please specify

Please specify here your X or XX selected: