

SELF CONTAINED LED EMERGENCY

Model: OPS (ORBIT PRO SQUARE)

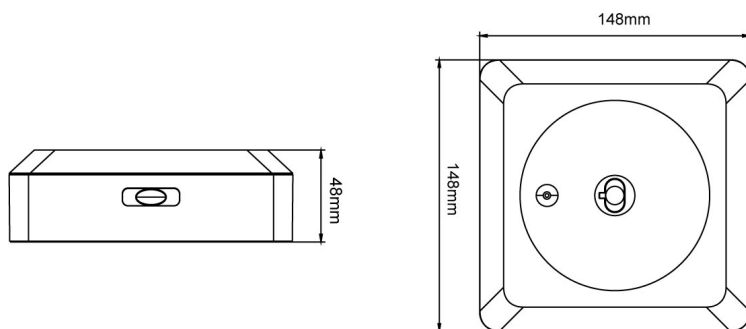


Self contained 3W LED emergency. Non maintained self-test function. Open area and corridor lenses models. Stylized square-shaped design and elegant line for surface mounting. Easy installation. It has a two coloured LED signaling integrated in the equipment.

Characteristics:

Model	OPS-2501 R AT	OPS-2501 C AT	OPS-2503 R AT	OPS-2503 C AT
Supply	230V~ 50/60Hz (220-240VAC)			
Functioning	Non maintained			
Power	3W			
Input current	<0,08A			
Check	Self-test			
Lumens	250 lm			
Autonomy	1 hour		3 hours	
Battery	LiFePO4 6,4V-600mAh		LiFePO4 6,4V-1500mAh	
Battery charging	24 hours			
LED	SAMSUNG 3535			
Colour temperature (CCT)	5000K			
Lense	Open	Corridor	Open	Corridor
Output voltage (LED)	2,8 – 3,2VDC			
Output current (LED)	600mA			
Protection class	Class II			
Grade IP	IP40			
Circuit protections	Short-circuit / Overloading / Overtemperature			
Wrapping material	White colour PC			
Mounting	Surface			
Operating temperature	0 - 45°C			
Ambient temperature	0 - 65°C			
Weight	0,30Kg		0,35Kg	
CE marked	According standards 2014/35/UE and 2014/30/UE of EMC			
Manufactured	According standard UNE-EN 60598-2-22			

Dimensions:



Self-test:

Once the equipment is connected, a self-test is automatically initiated in this way:

- Every 4 sec.: verifies battery disconnection and voltage, charger failure, lamp failure and AC / DC converter fault.
- Every month runs a 3 min. test of duration.
- Every year it runs a test of 1 hour or 3 hours depending on the model.

Signaling:

Two coloured LED indicator:

GREEN fixed light: Operation OK

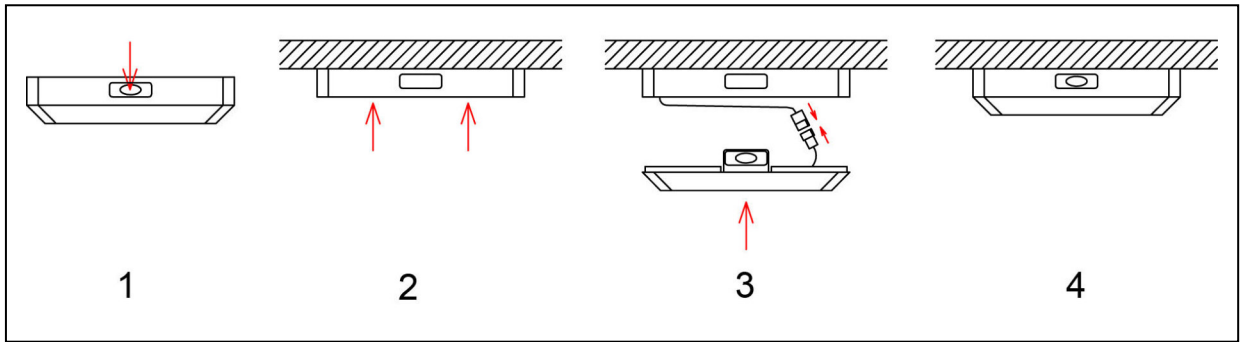
RED blinking: Failure, according to the following signaling:

*	1 blinking and pause of 4 seg.	Battery not connected
**	2 blinking and pause of 4 seg.	Low battery voltage
***	3 blinking and pause of 4 seg.	Battery charger failure
****	4 blinking and pause of 4 seg.	AC/DC converter failure
*****	5 blinking and pause of 4 seg.	LED lamp failure

Manual test:

Press the test button once	30 sec. test of duration
Press the test button twice in 2 sec.	3 min. test of duration
Press the test button three times in 2 sec.	30 min. test of duration
Press the test button four times in 2 sec.	1 hour or 3 hour test depending on the model

Surface installation:



- 1.- Press on the 2 closing points to open the device and separate the cover from the base.
- 2.- Mount the base on the surface using screws. Remove the cable from the mains inside the hole in the base and connect to the terminal strip L and N (230VAC).
- 3.- Connect the power cable of the base with that of the cover through the respective connectors. Insert the cover in the base.
- 4.- Tighten the cover on the base until it closes and is anchored. Give the equipment a mains voltage and check that the indicator LED lights up in green.

Maintenance:

The manipulation and the installation of the device should be done by qualified technicians. Always verify that the voltage of the mains is adequate to the input voltage of the device. Before installation make sure the mains is off. The LiFePO4 battery must be replaced when the equipment's autonomy time is less than 1 hour or 3 hours depending the model. It is convenient to write down the date of the change. The old battery should be recycled in a proper way, as it can be harmful for the environment.

Table of distances open area Round LENS
Minimum 0.5 lux on the evacuation route

Mounting height (m)	D	D
2.50	5.8	11.6
3.00	6.2	12.4
4.00	6.6	13.2
5.00	6.6	13.2

Table of distances of the evacuation route Corridor LENS
Minimum 1 lux on the evacuation route

Mounting height (m)	D	D
2.50	8.8	17.6
3.00	9.2	18.4
4.00	9	18
5.00	8	16