

**SELF CONTAINED EMERGENCY LUMINARY
SERIE ANTARES LED**



Characteristics:

- Supply 230 V 50/60Hz.
- Maintained.
- Verification TEST via TELEMANDO.
- Stand by and re-start via TELEMANDO.
- T5 LED tube (G5) (High luminosity diffused and uniform light, working life > 30,000 hours).
- Color temperature 6000-7000K.
- Green Led indicating, the Battery charging.
- Autonomy 1& 3 hours, depending the model.
- Grade IP42 IK04,
- Connection via 6 or 8 mm cable
- Protection against Overloading and end of Battery Discharge
- Protection against the connection errors of TELEMANDO CONNECTOR
- Class II Luminary, should be installed in a way that no metal piece exposed is in electrical contact with either in electrical installation or Conductor of protection.

Norms Applied:

- CE as per directives **2014/35/UE and 2014/30/UE of EMC.**
- Manufactured according to norms UNE-EN 60598-2-22 and UNE-EN 60529.
- Adapted to the instructions of the Low Voltage Electrotechnical Regulation.

Models	Emergency Lamp	Battery Ni-Cd	Autonomy	Lumens
AN-100 LED	LED tube T5 3,6W (G5)	6V 0.8Ah	1 hour	120
AN-150 LED	LED tube T5 3,6W (G5)	6V 0.8Ah	1 hour	160
AN-200 LED	LED tube T5 3,6W (G5)	6V 0.8Ah	1 hour	226
AN-300 LED	LED tube T5 3,6W (G5)	6V 0.8Ah	1 hour	304
AN-103 LED	LED tube T5 3,6W (G5)	6V 0.8Ah	3 hours	120
AN-153 LED	LED tube T5 3,6W (G5)	6V 1.5Ah	3 hours	160
AN-203 LED	LED tube T5 3,6W (G5)	6V 1.5Ah	3 hours	187

Installation:

- Install and connect the luminary to the main supply.
- Check that the Green LED charge indicator lights.
- The batteries are supplied discharged and they need 24 hours to be charged completely.

Maintenance:

The Batteries should be changed once their duration gets inferior to the assigned.
 The Luminaries should be checked at least once a year. (We recommend every 3months)
 The Batteries and LED tube should be re-cycled or eliminated in an adequate way.
 Before doing any maintenance operation, please make sure that the Main supply is switch off and the Luminary is in STAND BY Position.

IMPORTANT: When replacing LED tube, make sure that the luminary is completely disconnected from the Main power and also from the battery terminal, otherwise it can cause damage to the electronic component

Verification TEST:

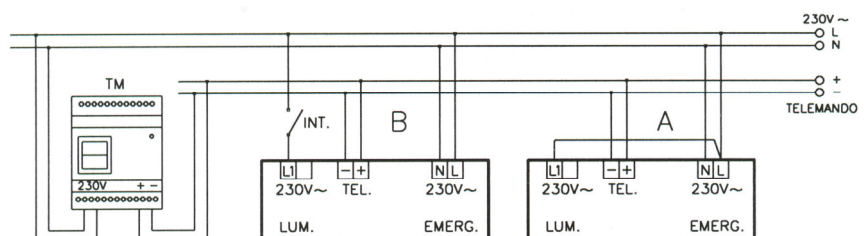
Verification test is possible with one of the following Accessories.
 TELEMANDO TM: By pressing the button Test ON, the Luminary starts working on Emergency Mode in the presence of supply.

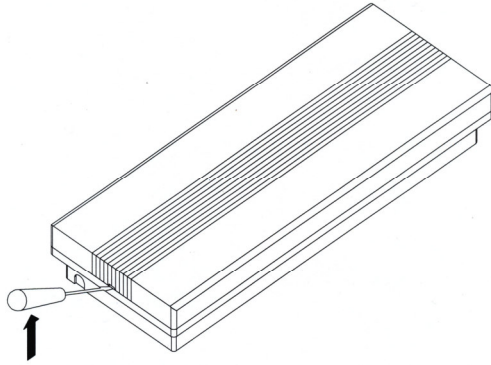
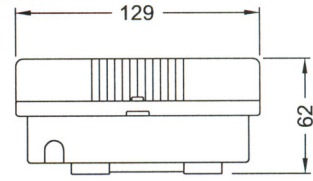
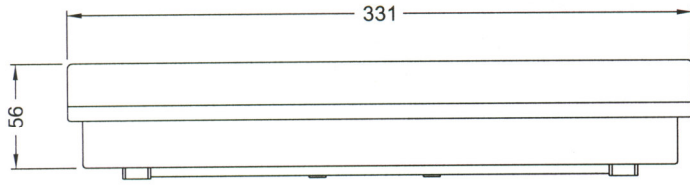
Stand by position:

- Connect the TELEMANDO TM as indicate din the Diagram of connection:
- In Emergency stage it is possible to Switch OFF the Luminary to save the Battery power by pressing OFF.
- By pressing ON the Luminary starts working again

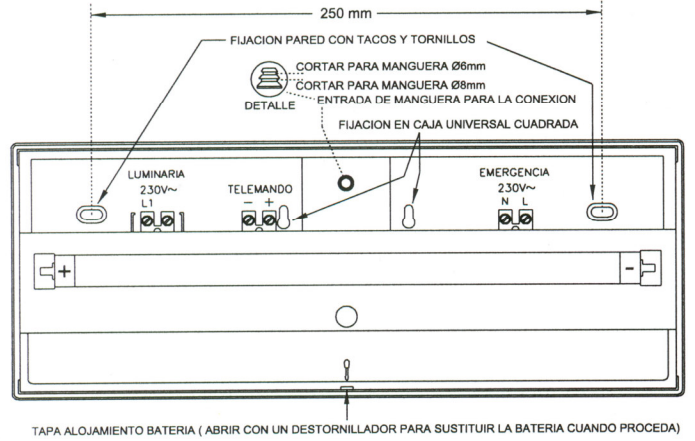
Connection Diagram:

A) **MAINTAINED**, LED tube always ON.
 B) **MAINTAINED**, with possibility to switch ON/OFF the Led tube by switch in power presence.

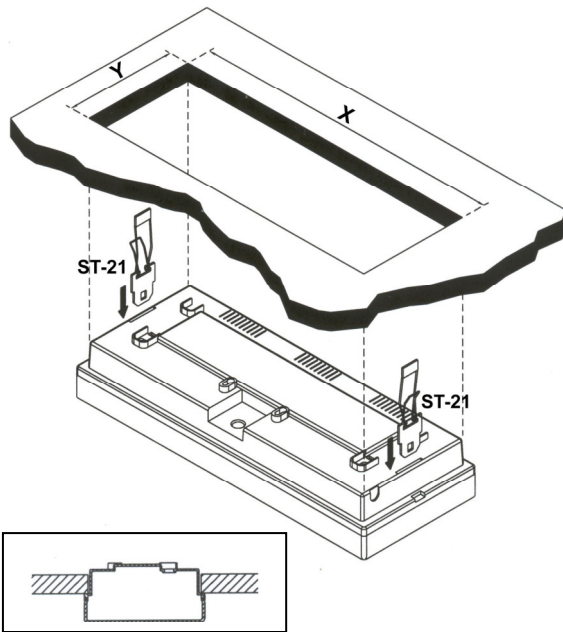




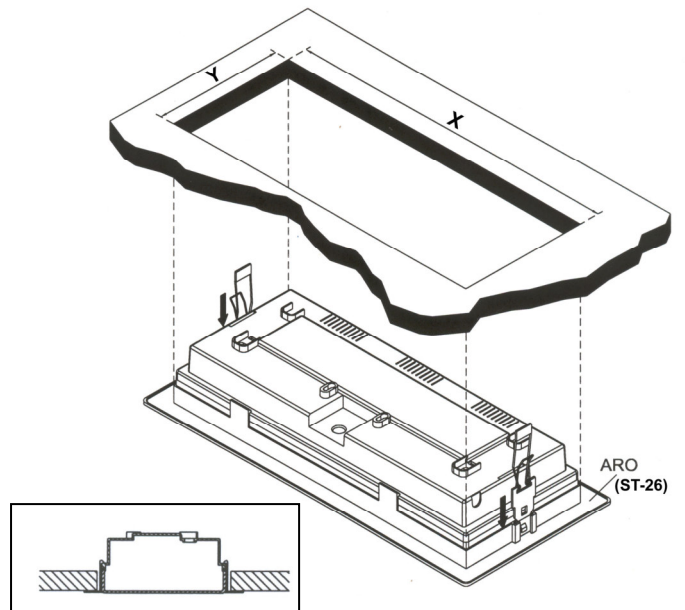
◆ Remove the Cover by using a screwdriver lifting the cover upwards.



◆ Install, cut the rubber & pass the cable to make connections



◆ Semi recess in False ceiling.
Escayola: **X=320mm Y=118mm**
Pladur:
Use ST-21



◆ Recess in ceiling.
Escayola: **X=346mm Y=138mm**
Pladur: Use Frame (**ST-26**) along with clips ST-21