

SELF CONTAINED EMERGENCY LIGHT

SERIE SIRAH LED IP65



Characteristics:

Supply 230V~ 50/60Hz. Current 80-100mA
 Non Maintained.
 TEST button incorporated.
 Stand by and re-start via Telemando (ref: TM). **(Only for Sirah models with Telemando, supplied on demand).**
 Green Led (left) indicates the battery charging & the green led (right) indicates the presence of power.
 PCB 39 LED 3528, white, high luminosity, working life >50000 hours.
 Color temp 6000-7000K
 Diffuser in OPAL color
 Grade IP65.
 Connection via Ø16 or Ø20 mm cable.
 Protection against the connection error of the Telemando connector. (Only for models with Telemando supplied on demand)
 Overload and end of battery discharge protection.
 Class II Luminaries should be installed in a way that no metal piece exposed should in electrical contact with any part of electrical installation connected to GROUND.

Norms Applied:

CE as per directives **2006/95/CE and 2004/108/CE of EMC**
 Manufactured according to norms UNE-EN 60598-2-22

Model	Emergency Lamp E	Battery Ni-Cd	Autonomy	φ luminous flux Lumen
E-75 ECO LED	PCB 39 LED 3528 2,4W	2.4V 1.5Ah	1 hour	75
E-100 ECO LED	PCB 39 LED 3528 2,4W	2.4V 1.5Ah	1 hour	100
E-150 ECO LED	PCB 39 LED 3528 2,4W	2.4V 1.5Ah	1 hour	150
E-200 ECO LED	PCB 39 LED 3528 2,4W	2.4V 1.5Ah	1 hour	230
E-300 ECO LED	PCB 39 LED 3528 3W	4.8V 1.5Ah	1 hour	356
E-400 ECO LED	PCB 39 LED 3528 3W	4.8V 1.5Ah	1 hour	400
E-103 ECO LED	PCB 39 LED 3528 2,4W	3.6V 1.5Ah	3 hours	100
E-153 ECO LED	PCB 39 LED 3528 2,4W	3.6V 1.5Ah	3 hours	150

Installation:

Install & connect the luminary to the main supply.
 Check that the yellow leds indicating the charging process & power presence are lit.
 The Batteries are supplied discharged and they need 24 hours to be charged completely, so the luminary will not respond to its autonomy until 24 hours.

Maintenance:

The Batteries should be changed once their duration gets inferior to the assigned.
 The Luminaries should be checked at least once a year.
 The Batteries and LED PCB should be re-cycled or eliminated in an adequate way.
 Before doing any maintenance operation, please make sure that the main supply is switched off and the Luminary is in STAND BY Position.

Verification TEST:

Verification is possible by pressing the **TEST** button on the LUMININARY, or with the following accessory.

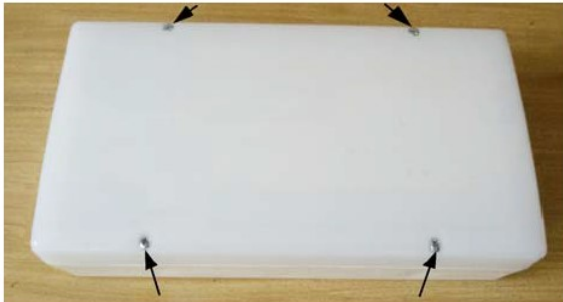
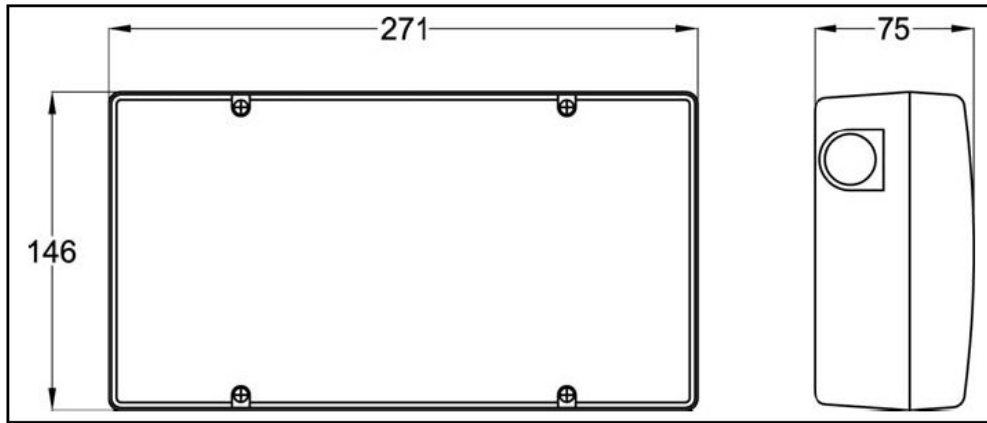
TELEMANDO TM:

By pressing the button ON of TELEMANDO, the Luminary starts working on Emergency in the presence of power (only for Sirah models which support Telemando, supplied on demand.)

*** Please note that Standard model of SIRAH is not compatible with TELEMANDO, and SIRAH TELEMANDO is only supplied on special demand**

Stand by position: (Only for models Sirah with Telemando (supplied on demand)).

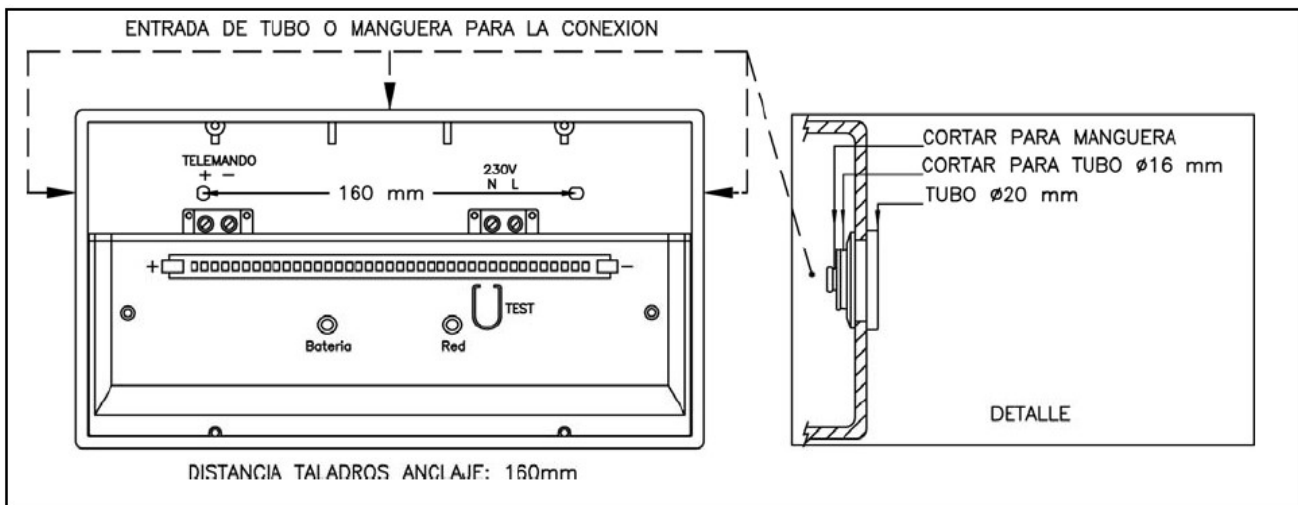
Connect the TELEMANDO TM as indicate din the Diagram of connection.
 When the light is working on emergency mode it is possible to Switch OFFF the Luminary to save the Battery power by pressing OFF on TELEMANDO.
 By pressing ON the Luminary starts working again



*Unscrew 4 screws and remove the diffuser glass



*disassemble the cover-reflector, prying with a screwdriver at the indicated point



- ◆ Break the round area of the base and place the rubber for the entrance of the PVC pipe.
- ◆ Mount the emergency on the wall using the 2 screws supplied with rubber washer to maintain the IP65 grade.
- ◆ Connect the network cables (230V) to the terminal strip.

◆ **Connection diagram:**

(The Telemando should only be connected in models adapted for telemando).

