

# Serie BEACONS

---

**Installation**

Wall recessed mounting.

**Design**

Polycarbonate body and diffuser.

**Optical part**

Opal diffuser.

# Serie BS

# IP20

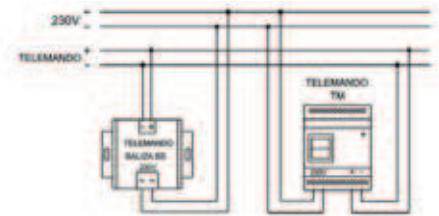
Emergency lighting



## TECHNICAL CHARACTERISTICS

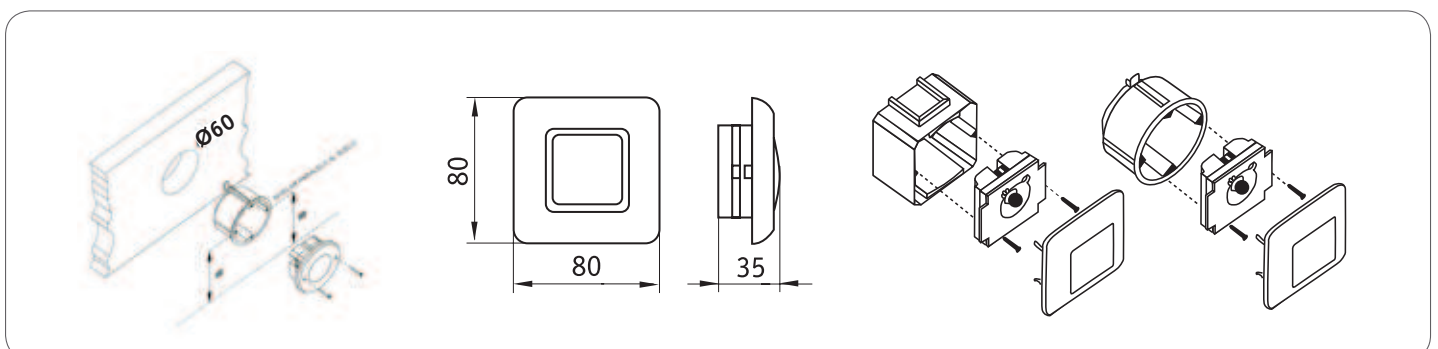
- Supply 230 V 50/60Hz.
- Non Maintained.
- Verification test via Telemando TM.
- Stand by and re-start via Telemando(TM).
- Led indicating, the battery charging.
- Stabilized current of Led (constant current control).
- Autonomy superior 1 hour.
- Grade IP20-IK04.
- Overload and end of battery discharge protection.
- Class II luminary.

### CONNECTION SCHEME



## APPLIED NORMS

- Manufactured as prescription Norm UNE-EN 60598-1.
- Royal Decree 27th August 1982, n. 2816/82 (Interior Ministry).
- General police regulations Art. 15.2
- ITC-BT-28 Facilities in Public Places. Point 5.-G. Additional requirements for local entertainment and recreational activities.



## CONVENTIONAL LAMP

### NON MAINTAINED SQUARE

IP20

Model	Colour Frame	Colour LED	IP	Weight	Autonomy	Battery	Lamp	Code
BS-1TR	Titanium	Red	20	0.10	1	(1.2V 0.4Ah)x2	0,75W E10	17111
BS-1WR	White	Red	20	0.10	1	(1.2V 0.4Ah)x2	0,75W E10	17101
BS-1NR	Nickel	Red	20	0.10	1	(1.2V 0.4Ah)x2	0,75W E10	17121
BS-1GRR	Graphite	Red	20	0.10	1	(1.2V 0.4Ah)x2	0,75W E10	17141
BS-1GR	Gold	Red	20	0.10	1	(1.2V 0.4Ah)x2	0,75W E10	17131
BS-1TA	Titanium	Amber	20	0.10	1	(1.2V 0.4Ah)x2	0,75W E10	17113
BS-1WA	White	Amber	20	0.10	1	(1.2V 0.4Ah)x2	0,75W E10	17103
BS-1NA	Nickel	Amber	20	0.10	1	(1.2V 0.4Ah)x2	0,75W E10	17123
BS-1GRA	Graphite	Amber	20	0.10	1	(1.2V 0.4Ah)x2	0,75W E10	17143
BS-1GA	Gold	Amber	20	0.10	1	(1.2V 0.4Ah)x2	0,75W E10	17133
BS-1TB	Titanium	Blue	20	0.10	1	(1.2V 0.4Ah)x2	0,75W E10	17112
BS-1WB	White	Blue	20	0.10	1	(1.2V 0.4Ah)x2	0,75W E10	17102
BS-1NB	Nickel	Blue	20	0.10	1	(1.2V 0.4Ah)x2	0,75W E10	17122
BS-1GRB	Graphite	Blue	20	0.10	1	(1.2V 0.4Ah)x2	0,75W E10	17142
BS-1GB	Gold	Blue	20	0.10	1	(1.2V 0.4Ah)x2	0,75W E10	17132
BS-1TG	Titanium	Green	20	0.10	1	(1.2V 0.4Ah)x2	0,75W E10	17119
BS-1WG	White	Green	20	0.10	1	(1.2V 0.4Ah)x2	0,75W E10	17109
BS-1NG	Nickel	Green	20	0.10	1	(1.2V 0.4Ah)x2	0,75W E10	17129
BS-1GRG	Graphite	Green	20	0.10	1	(1.2V 0.4Ah)x2	0,75W E10	17149
BS-1GG	Gold	Green	20	0.10	1	(1.2V 0.4Ah)x2	0,75W E10	17139
BS-1TW	Titanium	White	20	0.10	1	(1.2V 0.4Ah)x2	0,75W E10	17115
BS-1WW	White	White	20	0.10	1	(1.2V 0.4Ah)x2	0,75W E10	17105
BS-1NW	Nickel	White	20	0.10	1	(1.2V 0.4Ah)x2	0,75W E10	17125
BS-1GRW	Graphite	White	20	0.10	1	(1.2V 0.4Ah)x2	0,75W E10	17145
BS-1 GW	Gold	White	20	0.10	1	(1.2V 0.4Ah)x2	0,75W E10	17135

### NON MAINTAINED ROUND

IP20

Model	Colour Frame	Colour LED	IP	Weight	Autonomy	Battery	Lamp	Code
BS-2TR	Titanium	Red	20	0.10	1	(1.2V 0.4Ah)x2	0,75W LED	17211
BS-2WR	White	Red	20	0.10	1	(1.2V 0.4Ah)x2	0,75W LED	17201
BS-2NR	Nickel	Red	20	0.10	1	(1.2V 0.4Ah)x2	0,75W LED	17221
BS-2GRR	Graphite	Red	20	0.10	1	(1.2V 0.4Ah)x2	0,75W LED	17241
BS-2GR	Gold	Red	20	0.10	1	(1.2V 0.4Ah)x2	0,75W LED	17231
BS-2TA	Titanium	Amber	20	0.10	1	(1.2V 0.4Ah)x2	0,75W LED	17213
BS-2WA	White	Amber	20	0.10	1	(1.2V 0.4Ah)x2	0,75W LED	17203
BS-2NA	Nickel	Amber	20	0.10	1	(1.2V 0.4Ah)x2	0,75W LED	17223
BS-2GRA	Graphite	Amber	20	0.10	1	(1.2V 0.4Ah)x2	0,75W LED	17243
BS-2GA	Gold	Amber	20	0.10	1	(1.2V 0.4Ah)x2	0,75W LED	17233
BS-2TB	Titanium	Blue	20	0.10	1	(1.2V 0.4Ah)x2	0,75W LED	17212
BS-2WB	White	Blue	20	0.10	1	(1.2V 0.4Ah)x2	0,75W LED	17202
BS-2NB	Nickel	Blue	20	0.10	1	(1.2V 0.4Ah)x2	0,75W LED	17222
BS-2GRB	Graphite	Blue	20	0.10	1	(1.2V 0.4Ah)x2	0,75W LED	17242
BS-2GB	Gold	Blue	20	0.10	1	(1.2V 0.4Ah)x2	0,75W LED	17232
BS-2TG	Titanium	Green	20	0.10	1	(1.2V 0.4Ah)x2	0,75W LED	17219
BS-2WG	White	Green	20	0.10	1	(1.2V 0.4Ah)x2	0,75W LED	17209
BS-2NG	Nickel	Green	20	0.10	1	(1.2V 0.4Ah)x2	0,75W LED	17229
BS-2GRG	Graphite	Green	20	0.10	1	(1.2V 0.4Ah)x2	0,75W LED	17246
BS-2GG	Gold	Green	20	0.10	1	(1.2V 0.4Ah)x2	0,75W LED	17239
BS-2TW	Titanium	White	20	0.10	1	(1.2V 0.4Ah)x2	0,75W LED	17215
BS-2WW	White	White	20	0.10	1	(1.2V 0.4Ah)x2	0,75W LED	17205
BS-2NW	Nickel	White	20	0.10	1	(1.2V 0.4Ah)x2	0,75W LED	17225
BS-2GRW	Graphite	White	20	0.10	1	(1.2V 0.4Ah)x2	0,75W LED	17245
BS-2GW	Gold	White	20	0.10	1	(1.2V 0.4Ah)x2	0,75W LED	17235

# CHECK AVAILABILITY

## LED

NON MAINTAINED SQUARE							IP20
Model	Colour Frame	Colour LED	IP	Weight	Autonomy	Battery	Lamp
BS-1TRLED	Titanium	Red	20	0.10	1	(1.2V 0.4Ah)x2	0,75W LED
BS-1WRLED	White	Red	20	0.10	1	(1.2V 0.4Ah)x2	0,75W LED
BS-1NRLED	Nickel	Red	20	0.10	1	(1.2V 0.4Ah)x2	0,75W LED
BS-1GRRLED	Graphite	Red	20	0.10	1	(1.2V 0.4Ah)x2	0,75W LED
BS-1GRLED	Gold	Red	20	0.10	1	(1.2V 0.4Ah)x2	0,75W LED
BS-1TALED	Titanium	Amber	20	0.10	1	(1.2V 0.4Ah)x2	0,75W LED
BS-1WALED	White	Amber	20	0.10	1	(1.2V 0.4Ah)x2	0,75W LED
BS-1NALED	Nickel	Amber	20	0.10	1	(1.2V 0.4Ah)x2	0,75W LED
BS-1GRALED	Graphite	Amber	20	0.10	1	(1.2V 0.4Ah)x2	0,75W LED
BS-1GALED	Gold	Amber	20	0.10	1	(1.2V 0.4Ah)x2	0,75W LED
BS-1TBLED	Titanium	Blue	20	0.10	1	(1.2V 0.4Ah)x2	0,75W LED
BS-1WBLED	White	Blue	20	0.10	1	(1.2V 0.4Ah)x2	0,75W LED
BS-1NBLED	Nickel	Blue	20	0.10	1	(1.2V 0.4Ah)x2	0,75W LED
BS-1GRBLED	Graphite	Blue	20	0.10	1	(1.2V 0.4Ah)x2	0,75W LED
BS-1GBLED	Gold	Blue	20	0.10	1	(1.2V 0.4Ah)x2	0,75W LED
BS-1TGLED	Titanium	Green	20	0.10	1	(1.2V 0.4Ah)x2	0,75W LED
BS-1WGLED	White	Green	20	0.10	1	(1.2V 0.4Ah)x2	0,75W LED
BS-1NGLED	Nickel	Green	20	0.10	1	(1.2V 0.4Ah)x2	0,75W LED
BS-1GRGLED	Graphite	Green	20	0.10	1	(1.2V 0.4Ah)x2	0,75W LED
BS-1GGLED	Gold	Green	20	0.10	1	(1.2V 0.4Ah)x2	0,75W LED
BS-1TWLED	Titanium	White	20	0.10	1	(1.2V 0.4Ah)x2	0,75W LED
BS-1WWLED	White	White	20	0.10	1	(1.2V 0.4Ah)x2	0,75W LED
BS-1NWLED	Nickel	White	20	0.10	1	(1.2V 0.4Ah)x2	0,75W LED
BS-1GRWLED	Graphite	White	20	0.10	1	(1.2V 0.4Ah)x2	0,75W LED
BS-1 GWLED	Gold	White	20	0.10	1	(1.2V 0.4Ah)x2	0,75W LED

## NOVELTY

NON MAINTAINED ROUND							IP20
Model	Colour Frame	Colour LED	IP	Weight	Autonomy	Battery	Lamp
BS-2TRLED	Titanium	Red	20	0.10	1	(1.2V 0.4Ah)x2	0,75W LED
BS-2WRLED	White	Red	20	0.10	1	(1.2V 0.4Ah)x2	0,75W LED
BS-2NRLED	Nickel	Red	20	0.10	1	(1.2V 0.4Ah)x2	0,75W LED
BS-2GRRLED	Graphite	Red	20	0.10	1	(1.2V 0.4Ah)x2	0,75W LED
BS-2GRLED	Gold	Red	20	0.10	1	(1.2V 0.4Ah)x2	0,75W LED
BS-2TALED	Titanium	Amber	20	0.10	1	(1.2V 0.4Ah)x2	0,75W LED
BS-2WALED	White	Amber	20	0.10	1	(1.2V 0.4Ah)x2	0,75W LED
BS-2NALED	Nickel	Amber	20	0.10	1	(1.2V 0.4Ah)x2	0,75W LED
BS-2GRALED	Graphite	Amber	20	0.10	1	(1.2V 0.4Ah)x2	0,75W LED
BS-2GALED	Gold	Amber	20	0.10	1	(1.2V 0.4Ah)x2	0,75W LED
BS-2TBLED	Titanium	Blue	20	0.10	1	(1.2V 0.4Ah)x2	0,75W LED
BS-2WBLED	White	Blue	20	0.10	1	(1.2V 0.4Ah)x2	0,75W LED
BS-2NBLED	Nickel	Blue	20	0.10	1	(1.2V 0.4Ah)x2	0,75W LED
BS-2GRBLED	Graphite	Blue	20	0.10	1	(1.2V 0.4Ah)x2	0,75W LED
BS-2GBLED	Gold	Blue	20	0.10	1	(1.2V 0.4Ah)x2	0,75W LED
BS-2TGLED	Titanium	Green	20	0.10	1	(1.2V 0.4Ah)x2	0,75W LED
BS-2WGLED	White	Green	20	0.10	1	(1.2V 0.4Ah)x2	0,75W LED
BS-2NGLED	Nickel	Green	20	0.10	1	(1.2V 0.4Ah)x2	0,75W LED
BS-2GRGLED	Graphite	Green	20	0.10	1	(1.2V 0.4Ah)x2	0,75W LED
BS-2GGLED	Gold	Green	20	0.10	1	(1.2V 0.4Ah)x2	0,75W LED
BS-2TWLED	Titanium	White	20	0.10	1	(1.2V 0.4Ah)x2	0,75W LED
BS-2WWLED	White	White	20	0.10	1	(1.2V 0.4Ah)x2	0,75W LED
BS-2NWLED	Nickel	White	20	0.10	1	(1.2V 0.4Ah)x2	0,75W LED
BS-2GRWLED	Graphite	White	20	0.10	1	(1.2V 0.4Ah)x2	0,75W LED
BS-2GWLED	Gold	White	20	0.10	1	(1.2V 0.4Ah)x2	0,75W LED

# Serie BL

# IP65

Emergency lighting

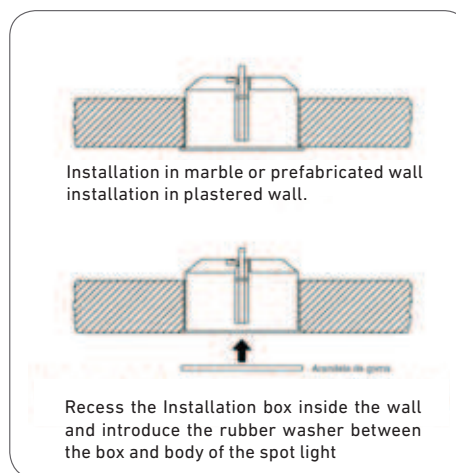
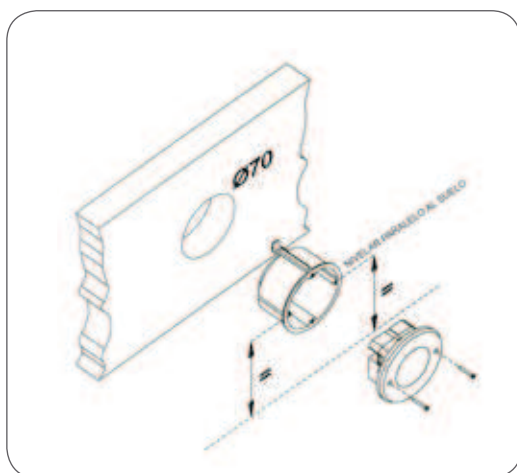


## TECHNICAL CHARACTERISTICS

- Supply 230 V 50/60Hz.
- Non Maintaine.
- Led indicating, the battery charging.
- Stabilized current of Led (constant current control).
- Autonomy superior than 3 hours.
- Grade IP65-IK07.
- Overload and end of battery discharge protection.
- Class II luminary.

## APPLIED NORMS

- Manufactured as prescription Norm UNE-EN 60598-1.
- Royal Decree 27th August 1982, n. 2816/82 (Interior Ministry).
- General police regulations Art. 15.2
- ITC-BT-28 Facilities in Public Places. Point 5.-G. Additional requirements for local entertainment and recreational activities.



# LED

## NON MAINTAINED BLS

IP65

Model	Colour Frame	Colour LED	IP	Weight	Autonomy	Battery	Lamp	Code
BLS-101WR	White	Red	65	0.19	3	1.2V 0.4Ah	LED White	17301
BLS-101GRR	Graphite	Red	65	0.19	3	1.2V 0.4Ah	LED White	17303
BLS-101SR	Silver	Red	65	0.19	3	1.2V 0.4Ah	LED White	17302
BLS-101WA	White	Amber	65	0.19	3	1.2V 0.4Ah	LED White	17311
BLS-101GRA	Graphite	Amber	65	0.19	3	1.2V 0.4Ah	LED White	17313
BLS-101SA	Silver	Amber	65	0.19	3	1.2V 0.4Ah	LED White	17312
BLS-101WB	White	Blue	65	0.19	3	1.2V 0.4Ah	LED White	17321
BLS-101GRB	Graphite	Blue	65	0.19	3	1.2V 0.4Ah	LED White	17323
BLS-101SB	Silver	Blue	65	0.19	3	1.2V 0.4Ah	LED White	17322

## MAINTAINED BLP

IP65

Model	Colour Frame	Colour LED	IP	Weight	Autonomy	Battery	Lamp	Code
BLP-102WW	White	White	65	0.19	3	1.2V 0.4Ah	LED White	17401
BLP-102GRW	Graphite	White	65	0.19	3	1.2V 0.4Ah	LED White	17403
BLP-102SW	Silver	White	65	0.19	3	1.2V 0.4Ah	LED White	17402

\* LED makes the same signaling and emergency function