

**Self Contained Emergency Luminary  
SERIE ORION****Characteristics:**

Supply 230 V 50/60Hz

Non Maintained Luminary

Stand by and re-ignition via Telemando

Yellow Led indicating, the Battery re-charging.

Autonomy more than 1 or 3 hour depending on the model.

Grade IP65

Connection via 18 or 20 mm cable.

Protection against Overloading and end of Battery Discharge.

Class II Luminaries should be installed in a way that no metal piece exposed is in electrical contact with either in electrical installation or Conductor of protection.

**Norms Applied:**

CE as per directives 79/23 of LVD and 89/336 of EMC

Manufactured according to norms UNE-EN 60598-2-22, UNE 20-392-93 and in complying with the norms EN-55015 and EN 50082-1 of electromagnetic compatibility.

Adapted in the Instructions of Low tension Electro technical Norm RBT and NBE CPI 96 of the Basic norm of Edification

Model	Emergency Lamp E	Battery Ni-Cd	Autonomy	φ Luminos flux Lumen
EF S-190	8W (G5)	3,6V 1,5Ah	1 Hr	156
EF S-300	8W (G5)	6V 1,5Ah	1 Hr	238
EF S-193	8W (G5)	3,6V (1.6Ah)x2	3 Hr	156
EF S-400	PL-11W (2G7)	6V 1,5Ah	1 Hr	362

Install &amp; connect the luminary to the main supply.

Check that the Yellow Led indicator indicating the Charging process is lit.

The Batteries are supplied Discharged and they need 24 hours to be charged completely, so the Luminary will not respond to its Autonomy until 24 hours..

**Maintenance:**

The Batteries should be changed once their duration gets inferior to the assigned.

The Luminaries should be checked at least once a year.

The Batteries and tubes should be re-cycled or eliminated in an adequate way.

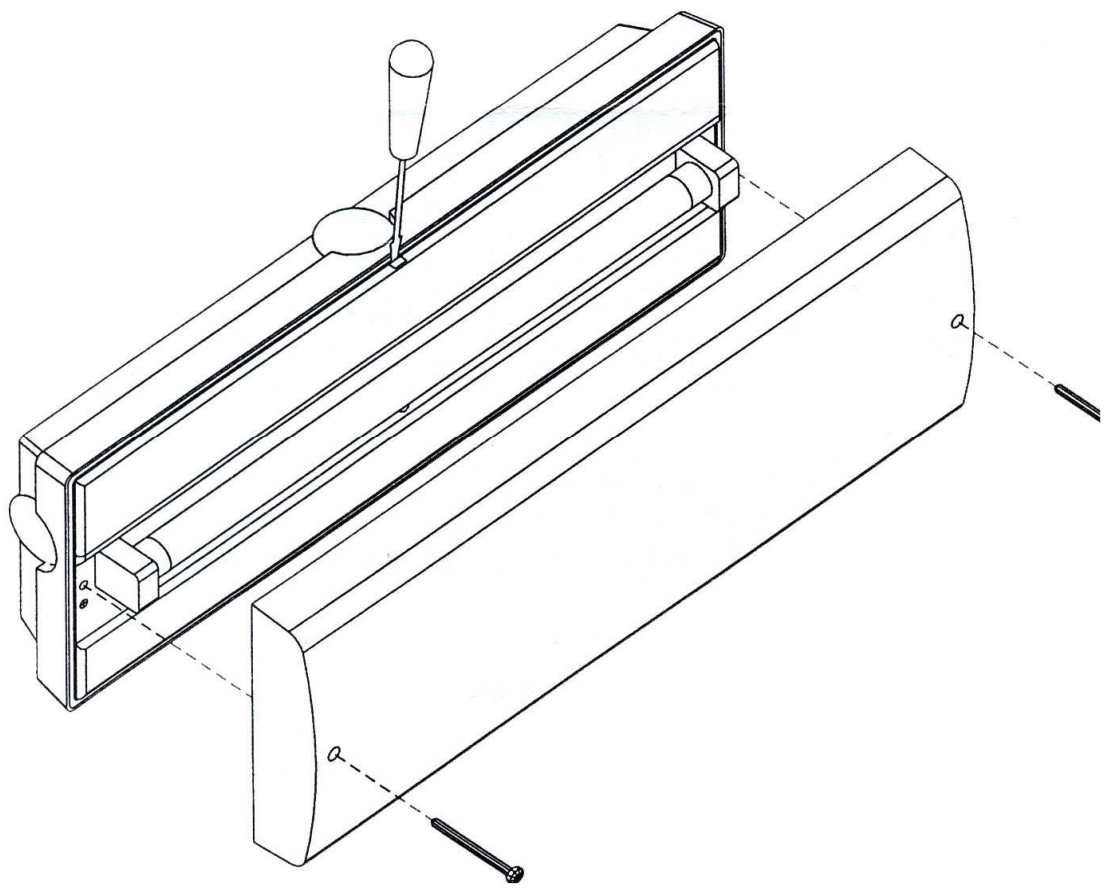
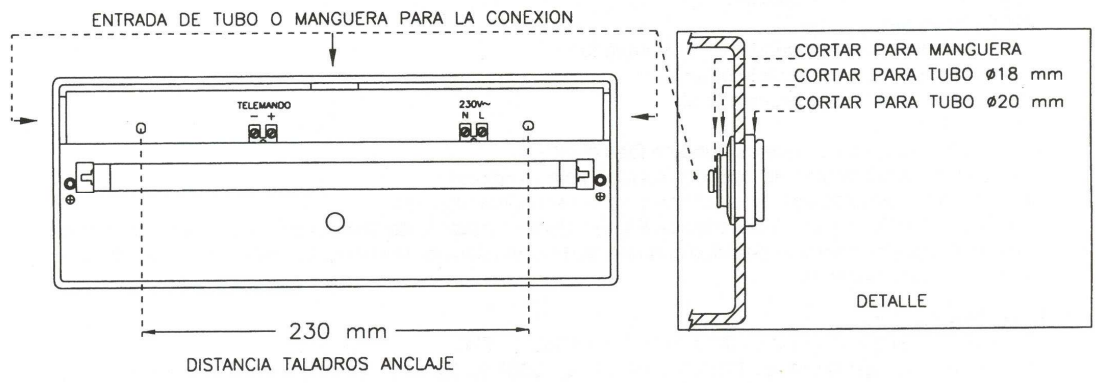
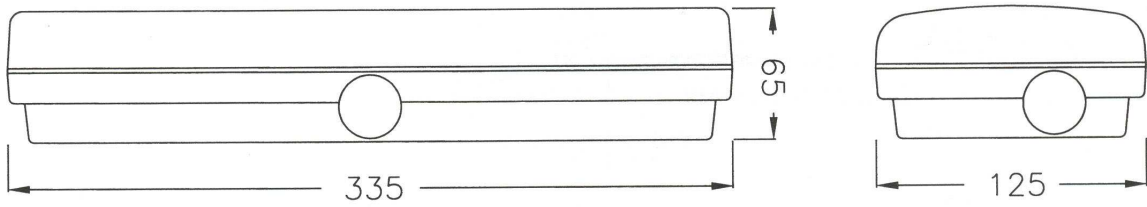
**Verification TEST:**

Verification test is possible with one of the following Accessories.

TELEMANDO TM : By pressing the button test ON, the luminary starts working on emergency in the presence of supply (see connection diagram next page).

**Standby by Position:**

Connect the TELEMANDO TM as indicated in the Diagram of connection, in Emergency stage, it is possible to Switch off the luminary to Save the Battery power by pressing OFF. By pressing ON the luminary starts working again.



Unscrew the screws and remove the crystal cover.  
 Remove the cover – reflector by pressing with the help of two screwdrivers in the points indicated.  
 Now you can access the locking and connection of emergency unit.

**Circuit Diagram of Connection.**

