

Serie ANTARES



Installation

Wall or ceiling surface. Partial recessed by accessory ST-21. Total ceiling recessed by accessories ST-21 and frame ST-26. Double sided diffuser ST-27 for signaling with pictograms. Is advisable to use ST-27 with ST-21 and ST-26.

Design

Polycarbonate housing and diffuser. Self contained. Maintained depending on the model. LED indicates the presence of power and the battery charging . Stand by, re-start and verification via TELEMANDO. Lamp included.

PATENTED LED LAMP

Optical part

Polycarbonate transparent diffuser.
Opal diffuser supplied on demand.

Serie ANTARES

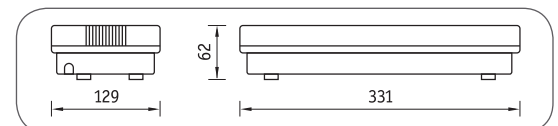
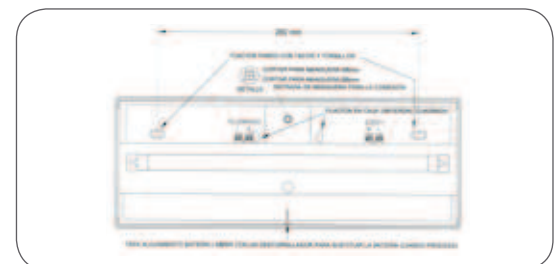
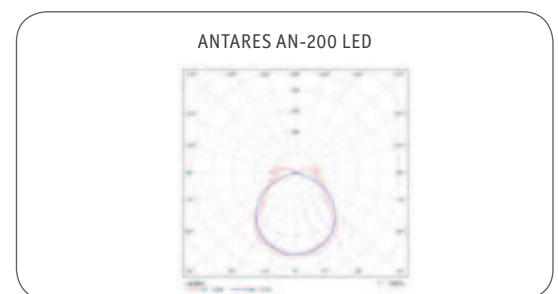
IP42

Emergency lighting



TECHNICAL CHARACTERISTICS

- Supply 230V 50/60Hz.
- Maintained/ Non Maintained, depending on the model.
- Stand by and re-start via Telemando (ref: TM).
- Green Led indicates the battery charging.
- Autonomy more than 1 or 3 hours, depending on the model.
- Grade IP42-IK04.
- Connection via $\varnothing 6$ or $\varnothing 8$ mm cable.
- Protection against the connection errors of the Telemando connector.
- Overload and end of battery discharge protection.
- Class II Luminary.



APPLIED NORMS

LED

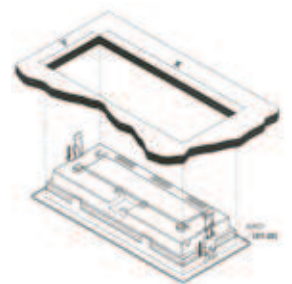
- CE as per directives 2006/95/CE and 2004/108/CE of EMC.
- Manufactured according to norms UNE-EN 60598-2-22 and UNE-EN 20-61347-2-13.
- Adapted to the Instructions of Low Voltage Electro Technical Norm.

FLUORESCENT

- CE as per directives 2006/95/CE and 2004/108/CE of EMC.
- Manufactured according to norms UNE-EN 60598-2-22 and UNE 20-392-93.
- Adapted to the Instructions of Low Voltage Electro Technical Norm and the Basic Code of Edification.

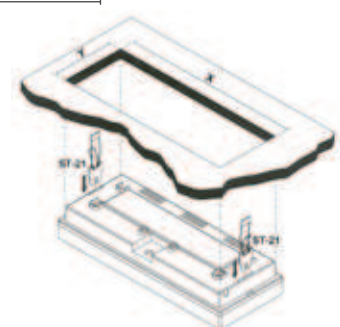
TOTAL CEILING RECESSED

X=346mm
y=138mm



PARTIAL RECESSED

X=320mm
y=118mm



LED

MAINTAINED / ON - OFF

IP42

Model	IP	Weight	Autonomy	Lumens	Battery	Lamp	Code
AN-100 LED	42	1.01	1	120	6.0V 0.8Ah	3.6W LED(G5)	203401
AN-150 LED	42	0.92	1	160	6.0V 0.8Ah	3.6W LED(G5)	203411
AN-200 LED	42	1.01	1	226	6.0V 0.8Ah	3.6W LED(G5)	203001
AN-300 LED	42	1.01	1	304	6.0V 0.8Ah	3.6W LED(G5)	203051
AN-103 LED	42	1.01	3	120	6.0V 0.8Ah	3.6W LED(G5)	203406
AN-153 LED	42	1.11	3	160	6.0V 1.5Ah	3.6W LED(G5)	203415
AN-203 LED	42	1.11	3	187	6.0V 1.5Ah	3.6W LED(G5)	203002

AUTO TEST

IP42

Model	IP	Weight	Autonomy	Lumens	Battery	Lamp	Code
AN-100 LED AT	42	1.01	1	120	6.0V 0.8Ah	3.6W LED(G5)	203421
AN-150 LED AT	42	0.92	1	160	6.0V 0.8Ah	3.6W LED(G5)	203431
AN-200 LED AT	42	1.01	1	226	6.0V 0.8Ah	3.6W LED(G5)	203004
AN-300 LED AT	42	1.01	1	304	6.0V 0.8Ah	3.6W LED(G5)	203061

AC-DC

IP42

Model	IP	Weight	Autonomy	Lumens	Battery	Lamp	Code
SIGN LED 230V	42	0.90	-	220	-	3.6W LED(G5)	203021
SIGN LED 24 V	42	0.90	-	220	-	3.6W LED(G5)	203031

CONVENTIONAL LAMP

NON MAINTAINED

IP42

Model	IP	Weight	Autonomy	Lumens	Battery	Lamp	Code
AN-100	42	0.93	1	100	2.4V 1.5Ah	8W(G5)	31001
AN-190	42	0.93	1	153	3.6V 1.5Ah	8W(G5)	20101
AN-300	42	1.01	1	260	6.0V 1.5Ah	8W(G5)	20401
AN-400	42	1.05	1	352	6.0V 1.5Ah	PL-11W(2G7)	20501
AN-500	42	1.05	1	481	3.6V (2x1.6Ah)	PL-11W(2G7)	20601
AN-302	42	1.08	2	250	3.6V (2x1.6Ah)	8W(G5)	20204
AN-103	42	0.93	3	95	2.4V (2x1.6Ah)	8W(G5)	31005
AN-193	42	1.08	3	141	3.6V (2x1.6Ah)	8W(G5)	20201

AUTO TEST

IP42

Model	IP	Weight	Autonomy	Lumens	Battery	Lamp	Code
AN-100 AT	42	1.07	1	100	6.0V 1.5Ah	8W(G5)	203301
AN-190 AT	42	1.07	1	153	6.0V 1.5Ah	8W(G5)	203311
AN-300 AT	42	1.02	1	260	6.0V 1.5Ah	8W(G5)	21001
AN-400 AT	42	1.05	1	352	6.0V 1.5Ah	PL-11W(2G7)	203321
AN-500 AT	42	1.07	1	420	6.0V 1.8Ah	PL-11W(2G7)	203331

COMBINED

IP42

Model	IP	Weight	Autonomy	Lumens	Battery	Lamp	Code
ANC-190	42	1.04	1	136	3.6V 1.5Ah	8W(G5)	20901R
ANC-250	42	1.13	1	246	6.0V 1.5Ah	8W(G5)	20701
ANC-302	42	1.08	2	230	3.6V(2x1.6Ah)	8W(G5)	20821
ANC-193	42	1.20	3	110	3.6V(2x1.6Ah)	8W(G5)	20801

AC-DC

IP42

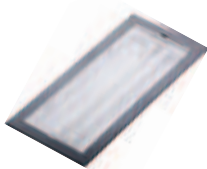
Model	IP	Weight	Autonomy	Lumens	Battery	Lamp	Code
SIGN 230V	42	0.70	-	328	-	8W(G5)	203121

Accessories Serie ANTARES

Emergency lighting



Ref.	Description
18301	CLIPS FOR RECESS MOUNTING ST-21



Ref.	Description
18315	WHITE FRAME FOR RECESS MOUNTING ST-26
18316	GRAPHITE FRAME FOR RECESS MOUNTING ST-26
18317	GREY FRAME FOR RECESS MOUNTING ST-26



Ref.	Description
18356	DOUBLE SIDED DIFFUSER ST-27 AN-10 UP EXIT
18313	DOUBLE SIDED DIFFUSER ST-27 AN-7 DOWN EXIT
18314	DOUBLE SIDED DIFFUSER ST-27 AN-8/9 RIGHT/LEFT EXIT



Ref.	Description
18477	ADHESIVE PICTOGRAM DOWN EXIT
18478	ADHESIVE PICTOGRAM UP EXIT
18475	ADHESIVE PICTOGRAM RIGHT EXIT
18476	ADHESIVE PICTOGRAM LEFT EXIT