

Serie VEGA



Installation

Wall or ceiling surface. Partial recessed or double sided diffuser by accessory ST-25. Partial recessed by accessory ST-21.

Design

Polycarbonate housing and diffuser. Self contained. Maintained/ Non Maintained, depending on the model. LED indicates the presence of power and the battery charging. Stand by and re-start via TELEMANDO. Lamp included.

PATENTED LED LAMP

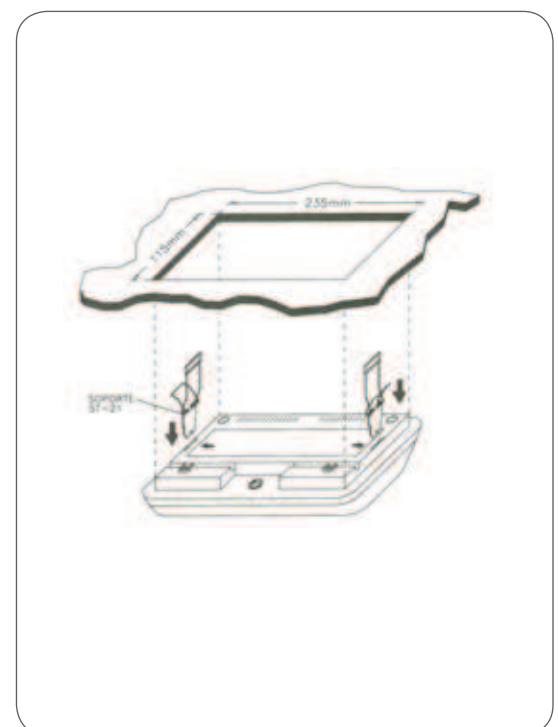
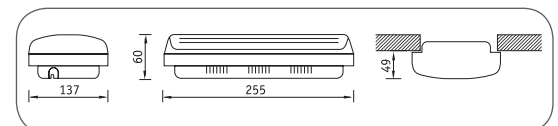
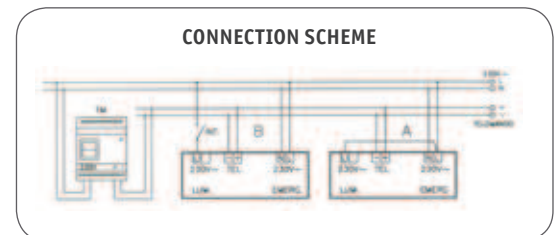
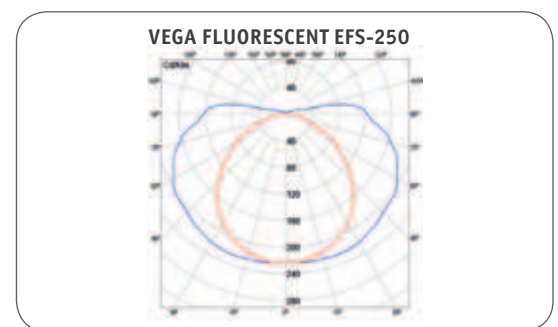
Optical part

Polycarbonate transparent diffuser.



TECHNICAL CHARACTERISTICS

- Supply 230V 50/60Hz.
- Maintained/ Non Maintained, depending on the model.
- Verification test via Telemando (ref: TM).
- Stand by and re-start via Telemando (ref: TM).
- Green Led indicates the battery charging.
- Autonomy more than 1 or 3 hours, depending on the model.
- Grade IP22 - IK04.
- Connection via Ø6 or Ø8 mm cable.
- Protection against the connection error of the telemando connector.
- Overload and end of battery discharge protection.
- Class II Luminary.



APPLIED NORMS

LED

- CE as per directives 2006/95/CE and 2004/108/CE of EMC.
- Manufactured according to norms UNE-EN 60598-2-22 and UNE -EN 20-61347-2-13.

FLUORESCENT

- CE as per directives 2006/95/CE and 2004/108/CE of EMC.
- Manufactured according to norms UNE-EN 60598-2-22 and UNE 20-392-93.
- Adapted to the Instructions of Low Voltage Electro technical Norm and the Basic Code of Edification.

LED

MAINTAINED / ON - OFF

IP22

Model	IP	Weight	Autonomy	Lumens	Battery	Lamp	Code
V-100 LED	22	0.87	1	120	6.0V 0,8Ah	2.4W LED (G5)	157003
V-150 LED	22	0.87	1	158	6.0V 0,8Ah	2.4W LED (G5)	157004
V-200 LED	22	0.87	1	187	6.0V 0,8Ah	2.4W LED (G5)	157001
V-300 LED	22	0.87	1	304	6.0V 0,8Ah	3W LED (G5)	157017
V-103 LED	22	0.87	3	120	6.0V 0,8Ah	2.4W LED (G5)	157007
V-153 LED	22	0.87	3	158	6.0V 1,5Ah	2.4W LED (G5)	157014
V-203 LED	22	0.87	3	187	6.0V 1,5Ah	2.4W LED (G5)	157002

AUTO TEST

IP22

Model	IP	Weight	Autonomy	Lumens	Battery	Lamp	Code
V-100 LED AT	22	0.87	1	120	6.0V 0,8Ah	2.4W LED (G5)	157009
V-150 LED AT	22	0.87	1	158	6.0V 0,8Ah	2.4W LED (G5)	157010
V-200 LED AT	22	0.87	1	187	6.0V 0,8Ah	2.4W LED (G5)	157041
V-300 LED AT	22	0.87	1	304	6.0V 0,8Ah	2.4W LED (G5)	157011

AC-DC

IP22

Model	IP	Weight	Autonomy	Lumens	Battery	Lamp	Code
SIGN LED 230V	22	0.76	-	180	-	2.4W LED (G5)	157021
SIGN LED 24V	22	0.76	-	180	-	2.4W LED (G5)	157031

CONVENTIONAL LAMP

NON MAINTAINED

IP22

Model	IP	Weight	Autonomy	Lumens	Battery	Lamp	Code
EFS-70	22	0.70	1	102	2.4V 1,5Ah	6W (G5)	15101
EFS-180	22	0.80	1	125	3.6V 1,5Ah	6W (G5)	15301
EFS-250	22	0.80	1	185	4.8V 1,5Ah	6W (G5)	15401
EFS-380	22	0.90	1	305	6.0V 1,5Ah	PL-11W (2G7)	15601
EFS-73	22	0.81	3	92	2.4V (2x1.6Ah)	6W(G5)	15203

COMBINED

IP22

Model	IP	Weight	Autonomy	Lumens	Battery	Lamp	Code
PC-180	22	0.84	1	140	3.6V 1,5Ah	6W(G5)	15901R
PC-73	22	0.88	3	60	2.4V (2x1.6Ah)	6W(G5)	15801

AC-DC

IP22

Model	IP	Weight	Autonomy	Lumens	Battery	Lamp	Code
SIGN 230V	22	0.50	-	187	-	6W(G5)	157121

Accessories Serie VEGA

Emergency lighting



Ref.	Description
18301	CLIPS FOR RECESS MOUNTING ST-21



Ref.	Description
18305	DOUBLE SIDED DIFFUSER ST-25



Ref.	Description
18411	ADHESIVE PICTOGRAM DOWN EXIT
18412	ADHESIVE PICTOGRAM UP EXIT
18426	ADHESIVE PICTOGRAM RIGHT EXIT
18429	ADHESIVE PICTOGRAM LEFT EXIT