

Serie MIRA



Installation

Wall or ceiling surface. . Ceiling recessed by accessories ST-21 and frame ST-23. Wall recessed by accessory ST-22 and surface by ST-24 (IP65). Easy installation by preplate.

Design

Polycarbonate housing and diffuser. Self contained. Non maintained. LED indicates the presence of power and the battery charging. Stand by and re-start via TELEMANDO. Test button integrated. Lamp included.

Optical part

Polycarbonate transparent diffuser.

Serie MIRA

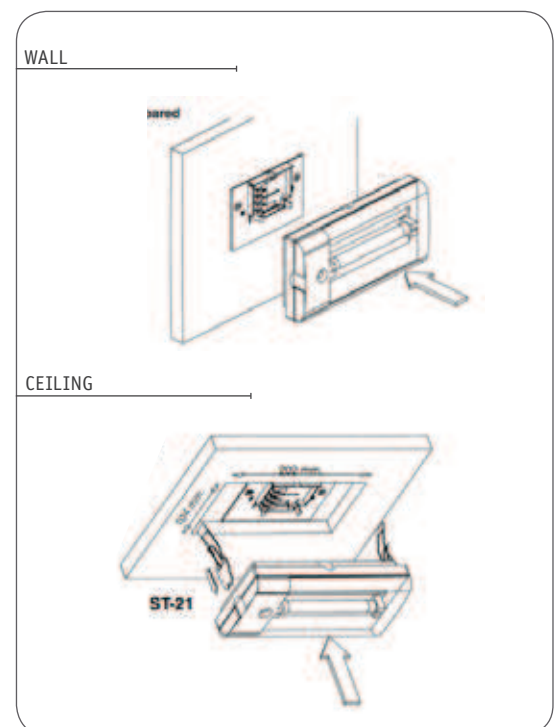
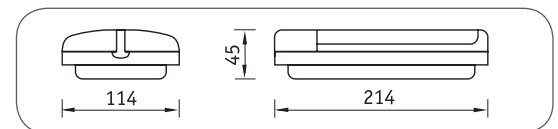
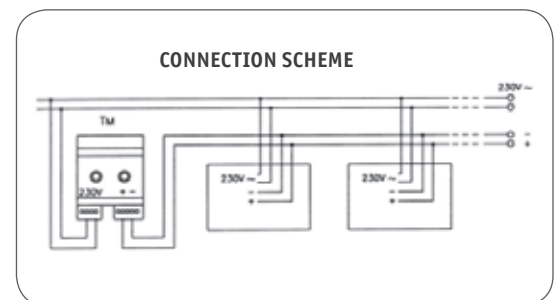
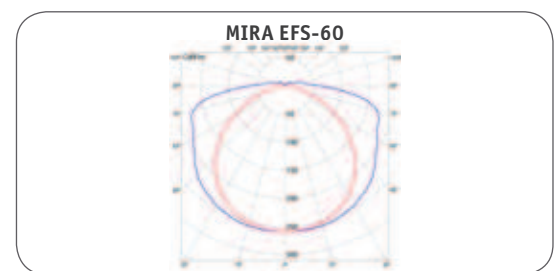
Emergency lighting

IP22



TECHNICAL CHARACTERISTICS

- Supply 230V 50/60Hz.
- Non Maintained
- Stand by and re-start via Telemando (ref: TM).
- Verification test button integrated in the emergency itself.
- Amber Led high luminosity indicates the presence of power and the battery charging.
- Autonomy more than 1 hour.
- Easy installation by preplate (screwless power strips - quick connect).
- Protection against the connection error of the Telemando connector.
- Overload and end of battery discharge protection.
- Grade IP22-IK04.
- Class II Luminary.



APPLIED NORMS

- CE as per directives 2006/95/CE and 2004/108/CE of EMC.
- Manufactured according to norms UNE-EN 60598-2-22 and UNE 20-392-93.
- Adapted to the Instructions of Low Voltage Electro technical Norm and the Basic Norm of Edification.

CONVENTIONAL LAMP

NON MAINTAINED

IP22

Model	IP	Weight	Autonomy	Lumens	Battery	Lamp	Code
EFS-60	22	0.62	1	57	2.4V 1,5Ah	4W (G5)	14101
EFS-80	22	0.65	1	87	3.6V 1,5Ah	4W (G5)	14201
EFS-130	22	0.63	1	117	2.4V 1,5Ah	PL-7W (2G7)	14301
EFS-170	22	0.65	1	174	3.6V 1,5Ah	PL-7W (2G7)	14401

Accessories Serie MIRA

Emergency lighting



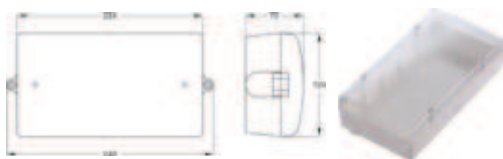
Ref.	Description
18301	CLIPS FOR RECESS MOUNTING ST-21



Ref.	Description
18303	WHITE FRAME ST-23



Ref.	Description
18302	WALL FLUSH MOUNTING BOX ST-22



Ref.	Description
18304	IP65 BOX ST-24