

Self Contained Emergency Luminary SERIE VEGA

Characteristics:

Supply 230 V 50/60Hz

Non Maintained Luminary

Stand by and re-ignition via Telemando

Green Led indicating, the Battery re-charging.

Autonomy more than 1 or 3 hour depending on the model.

Grade IP223

Simple Connection via 6 or 8 mm cable.

Protection against Overloading and end of Battery Discharge.

Class II Luminaries should be installed in a way that no metal piece exposed is in electrical contact with either in electrical installation or Conductor of protection.

Norms Applied:

CE as per directives 79/23 of LVD and 89/336 of EMC

Manufactured according to norms UNE-EN 60598-2-22, UNE 20-392-93 and in complying with the norms EN-55015 and EN 50082-1 of electromagnetic compatibility.

Adapted in the Instructions of Low tension Electro technical Norm RBT and NBE CPI 96 of the Basic norm of Edification

Model	Emergency Lamp E	Signalling lamp S	Battery Ni-Cd	Autonomy	φ Luminos flux Lumen
EF S-70	6W (G5)	YELLOW LED 10mm	2,4V 1,5Ah	1 Hr	102
EF S-180	6W (G5)	YELLOW LED 10mm	3,6V 1,5Ah	1 Hr	125
EF S-250	6W (G5)	YELLOW LED 10mm	4,8V 1,5Ah	1 Hr	185
EF S-380	PL-11W (2G7)	YELLOW LED 10mm	6V 1,5Ah	1 Hr	305
EF S-73	6W (G5)	YELLOW LED 10mm	(2,4V1,5Ah)X2	3 Hr	70
EF S-55	6W (G5)	YELLOW LED 10mm	2,4V 1,5Ah	1 Hr	65

Install & Connect the luminary to the main supply.

Check that the Green Led indicator indicating the Charging process is lit.

The Batteries are supplied Discharged and they need 24 hours to be charged completely, so the Luminary will not respond to its Autonomy until 24 hours..

Maintenance:

The Batteries should be changed once their duration gets inferior to the assigned.

The Luminaries should be checked at least once a year.

The Batteries and tubes should be re-cycled or eliminated in an adequate way.

Verification TEST:

Verification test is possible with one of the following Accessories.

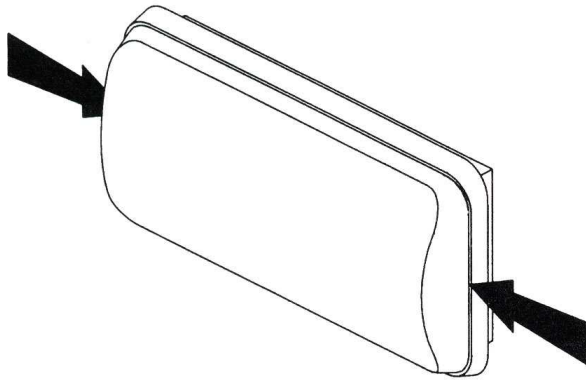
TELEMANDO VERIFICATION TV. By pressing the button Test ON, the Luminary starts working on Emergency in the presence of supply (see connection diagram next page)

TELEMANDO TM: By pressing the button Test ON, the Luminary starts working on Emergency in the presence of supply.

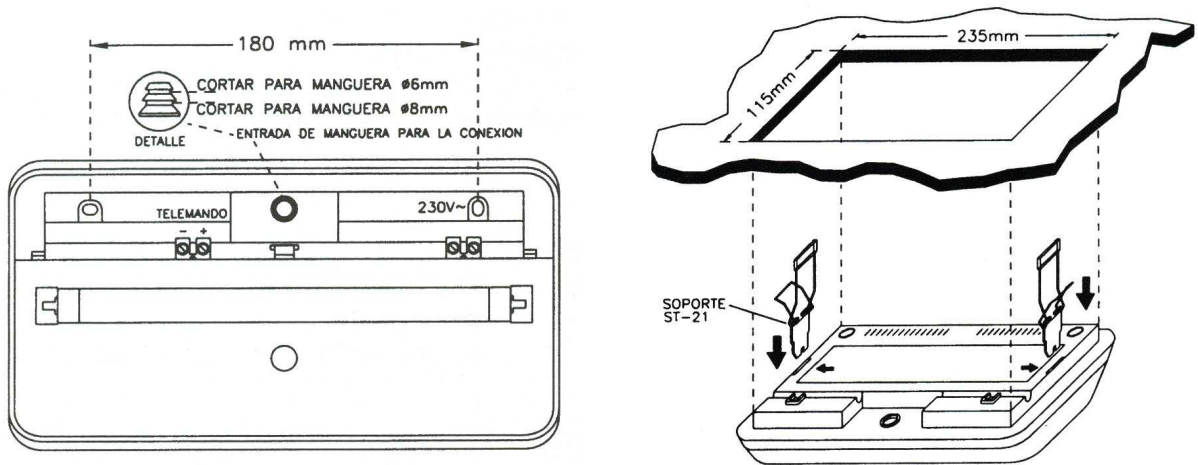
Stand by position:

Connect the TELEMANDO TM as indicate din the Diagram of connection

En Emergency stage it is possible to Switch OFFF the Luminary to Save the Battery power by pressing OF. By pressing ON the Luminary starts working again.



Remove the cover by pressing one of the sides.
After removing the cover, take out the upper part of the reflector and you will see the connectors for making the connection.



Cut the hole to introduce the cable according to the indication and connection of the connectors.

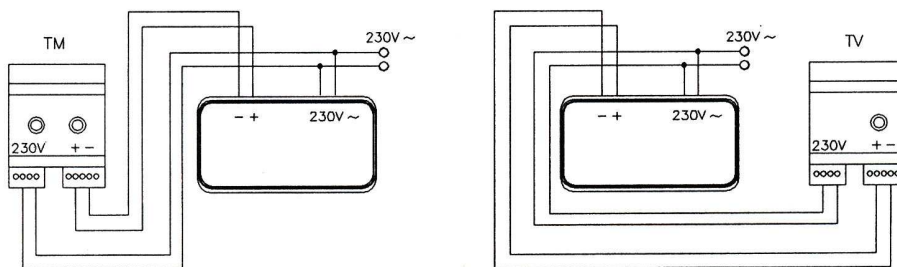
Mounting on the Wall

The holes in the wall to fix the emergency light should be 180mm.

False Ceiling mounting

Make a hole in the false ceiling as per the dimensions indicated.
Attach the accessory ST-21 in their respective holes indicated in the figure above.
Introduce the Emergency unit as indicated in the figure.

Circuit Diagram of Connection



The cable used for the installation should be of 4 conductors (2 for the main line and 2 for telemando).