



## Self Contained Emergency Luminary SERIE SIRAH

### Characteristics:

Supply 230 V 50/60Hz.

Non Maintained.

Stand by and re-start via Telemando (ref: TM). (**Only for Sirah models with Telemando, supplied on demand**).

Yellow Led (left) indicates the battery charging, & the yellow led (right) indicates the presence of power.

Autonomy more than 1 or 3 hours,(depending on the model).

Grade IP42 IK04.

Connection by means of 6 or 8 mm cable.

TEST button incorporated.

Protection against the connection error of the telemando connector. (Only for models with Telemando supplied on demand)

Overload and end of battery discharge protection.

Class II Luminaries should be installed in a way that no metal piece exposed should in electrical contact with any part of electrical installation connected to GROUND.

### Norms Applied:

CE as per directives **2006/95/EC LVD and 2004/108/EC of EMC**

Manufactured according to norms UNE-EN 60598-2-22, UNE 20-392-93 and in complying with the norms EN-55015 and EN 50082-1 of electromagnetic compatibility.

Adapted to the Instructions of Low tension Electro technical Norm RBT and NBE CPI 96 of the Basic norm of Edification

### Models Available:

Model	E emergency Lamp	Surface M2	Battery Ni-Cd	Autonomy	φ Lumen
H-100	6W (G5)	19	2.4V 1.5Ah	1 hour	95
H-180	6W (G5)	30	3.6V 1.5Ah	1 hour	150
H-250	6W (G5)	42	4.8V 1.5Ah	1 hour	206
H-380	PL-11W (2G7)	73	6V 1.5Ah	1 hour	365
H-103	T 6W (G5)	15	2.4V (2x1.5Ah)	3 hours	74

### Installation:

Install & connect the luminary to the main supply.

Check that the yellow leds indicating the charging process & power presence are lit.

The Batteries are supplied discharged and they need 24 hours to be charged completely, so the luminary will not respond to its autonomy until 24 hours.

### Maintenance:

The Batteries should be changed once their duration gets inferior to the assigned.

The Luminaries should be checked at least once a year.(We recommend every 3months)

The Batteries and tubes should be re-cycled or eliminated in an adequate way.

Before doing any maintenance operation, please make sure that the main supply is switched off and the Luminary is in STAND BY Position.

### Verification TEST:

Verification is possible by pressing the **TEST** button on the LUMININARY, or with the following accessory.

### TELEMANDO TM:

By pressing the button ON of TELEMANDO, the Luminary starts working on Emergency in the presence of power.(Only for Sirah models which support Telemando, supplied on demand.)

**\* Please note that Standard model of SIRAH is not compatible with TELEMANDO, and SIRAH TELEMANDO is only supplied on special demand.**

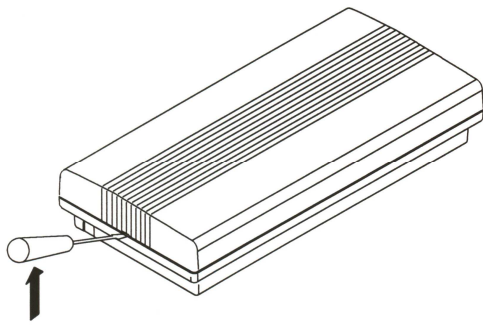
### Stand by position: (Only for models Sirah with Telemando, supplied on demand.)

Connect the TELEMANDO TM as indicate din the Diagram of connection.

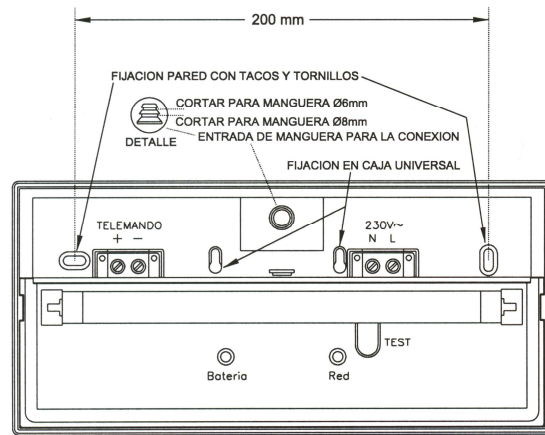
When the light is working on emergency mode it is possible to Switch OFFF the Luminary to save the Battery power by pressing OFF on TELEMANDO.

By pressing ON the Luminary starts working again.

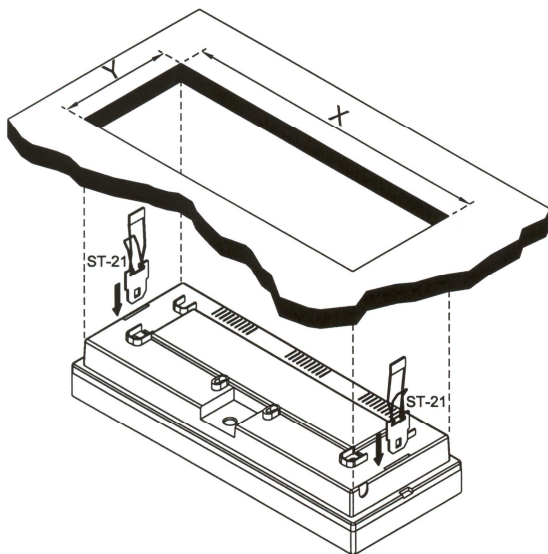
## Installation:



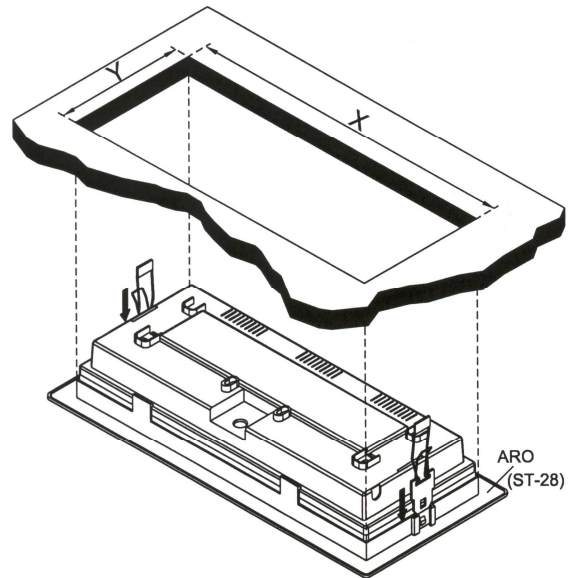
- ◆ Remove the Cover by using a screwdriver lifting the cover upwards.



- ◆ Install, cut the rubber & pass the cable to make connections.



- ◆ Semi recess en falso ceiling  
Escayola: X=251mm Y=113mm  
Pladur:  
Use clips ST-21



- ◆ Recess in the false ceiling  
Escayola: X=277mm Y=133mm  
Pladur:  
Use the frame (ST-28) with the clips ST-21

## ◆ Connection diagram:

(The Telemando should only be connected in models adapted for telemando).

