

## SELF CONTAINED EMERGENCY LUMINARY

### SERIE ORION LED

#### Characteristics:

Supply 230 V 50/60Hz.

Maintained.

Verification TEST via TELEMANDO.

Stand by and re-start via TELEMANDO.

T5 LED tube (G5) (High luminosity diffused and uniform light, working life > 30,000 hours).

Color temperature 6000-7000K

Yellow Led indicating, the Battery charging.

Autonomy superior than 1 & 3 hours.

Grade IP65

Connection via 16 or 20 mm cable

Protection against Overloading and end of Battery Discharge

Protection against the connection errors of TELEMANDO CONNECTOR

Class II Luminary, should be installed in a way that no metal piece exposed is in electrical contact with either in electrical installation or Conductor of protection.

#### Norms Applied:

CE as per directives 2006/95/EC LVD and 2004/108/EC of EMC

Manufactured according to norms UNE-EN 60598-2-22, UNE 20-392-93 and in complying with the norms EN-55015 and EN 50082-1 of electromagnetic compatibility.

Adapted to the Instructions of Low tension Electro technical Norm RBT and NBE CPI 96 of the Basic norm of Edification

Model	IP	Emergency LAMP	Battery Ni-Cd	Autonomy	φ Luminosiy (Lumen)
EFS-350 LED	65	LED TUBE T5 3.6W (G5)	6V 0.8Ah	1 hora	218
EFS-353 LED	65	LED TUBE T5 3.6W (G5)	6V 1.5Ah	3 hours	187

Install & connect the luminary to the main supply.

Check that the Yellow Led indicator indicating the Charging process is lit.

The Batteries are supplied Discharged and they need 24 hours to be charged completely, so the Luminary will not respond to its Autonomy until 24 hours..

#### Maintenance:

The Batteries should be changed once their duration gets inferior to the assigned.

The Luminaries should be checked at least once a year. ( We recommend every 3months)

The Batteries and LED tube should be re-cycled or eliminated in an adequate way.

Before doing any maintenance operation, please make sure that the Main supply is switch off and the Luminary is in STAND BY Position.

**IMPORTANT: When replacing LED tube, make sure that the luminary is completely disconnected from the Main power and also from the battery terminal, otherwise it can cause damage to the electronic component**

#### Verification TEST:

Verification test is possible with one of the following Accessories.

TELEMANDO TM: By pressing the button Test ON, the Luminary starts working on Emergency Mode in the presence of supply.

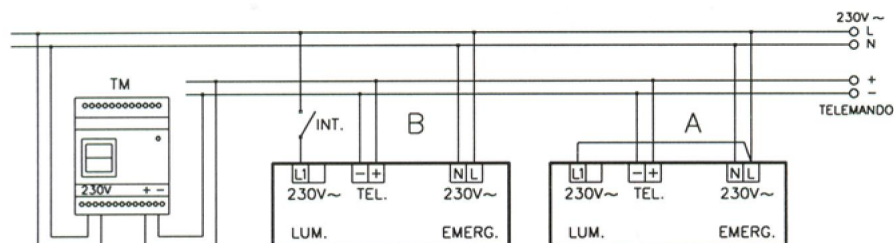
#### Stand by position:

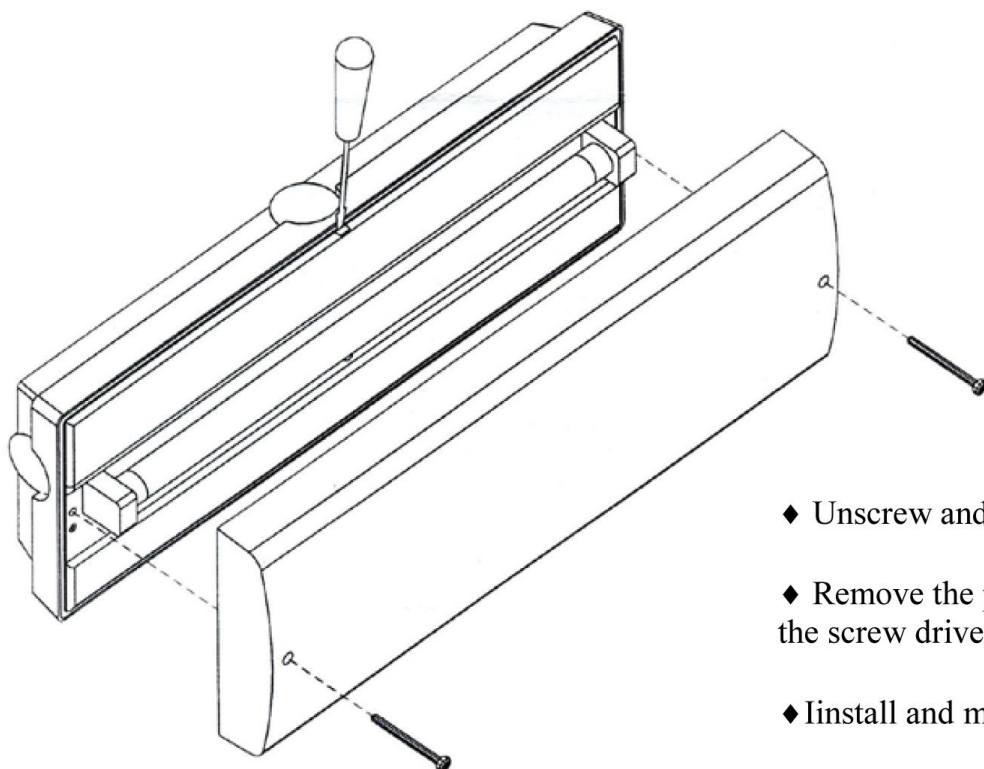
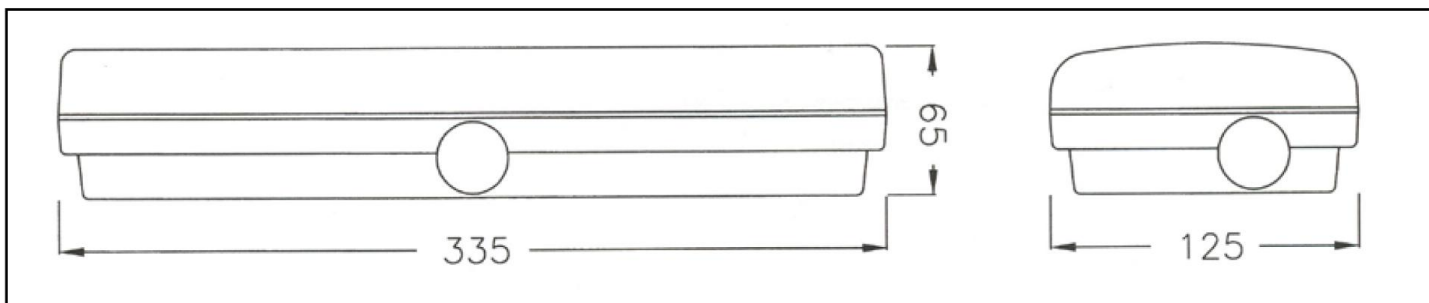
Connect the TELEMANDO TM as indicate din the Diagram of connection

En Emergency stage it is possible to Switch OFF the Luminary to save the Battery power by pressing OFF. By pressing ON the Luminary starts working again

#### Connection Diagram:

A) **MAINTAINED**, LED tube always ON.  
 B) **MAINTAINED**, with possibility to switch ON/OFF the Led tube by switch in power presence.





- ◆ Unscrew and remove the glass cover.
- ◆ Remove the plastic reflector with the tip of the screw driver as indicated in the drawing.
- ◆ Install and make connection.

