

# Serie ALTAIR LED

Emergency lighting



## Installation

Wall or ceiling surface mounting.



## Design

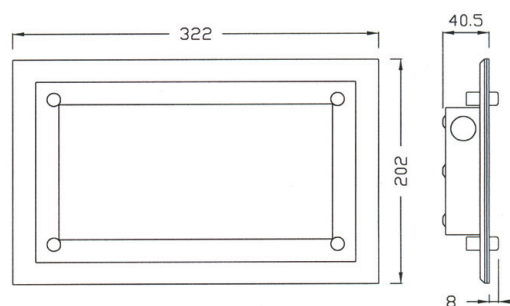
Aluminum body & acrylic diffuser with steel screws, manufactured in conformity with Norms EN60598-2-22 & UNE 20-392-93.

LED type: SMD  
PATENT Design

## Optical part

5 mm PMMA LGP for uniform illumination.

Pictograms see table below



## Pictograms

Model	Pictogram	Size	Code
A-1		277x156	18751
A-2		277x156	18752
A-3		277x156	18753
A-4		277x156	18754
A-5		277x156	18755
A-6		277x156	18756
A-7		277x156	18757
A-8		277x156	18758
A-9		277x156	18759
A-10		277x156	



Model	Type	IP	Weight	Autonomy	Distance	Battery	Lamp	Code
ALTAIR LED-1	M/NM	40	1,3	1	24	6.0 V -0,8A*h	1,6W LED	4501007590
ALTAIR LED-3	M/NM	40	1,3	3	24	6.0 V -1,2A*h	1,6W LED	4502002720
ALTAIR LED SIGN	AC/DC	40	1	-	24	-	1,6W LED	4502002740
ALTAIR LED -1 AT	M/NM	40	1,3	1	24	6.0 V -0,8A*h	1,6W LED	4502002730

\*NM: NON MAINTAINED / \*M: MAINTAINED