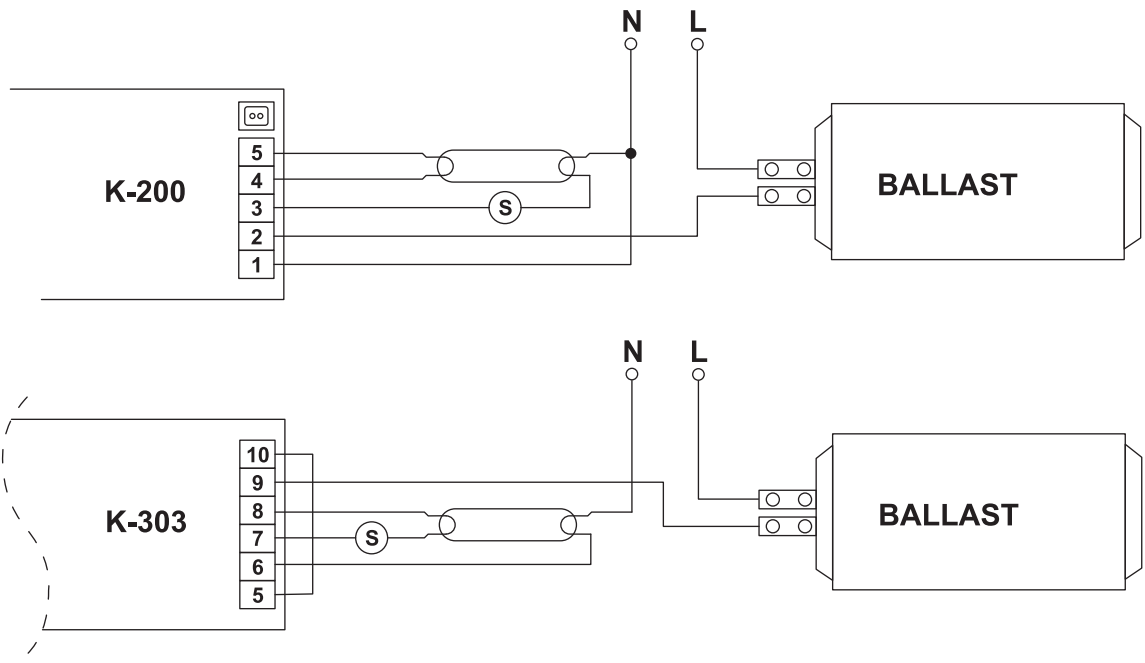


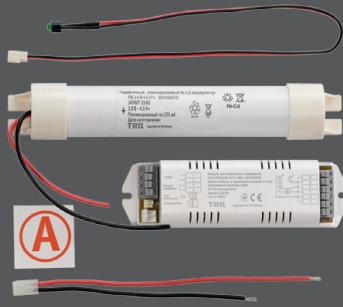
K-200



Operation time of a lamp/a light stream (% from value) in emergency operation

More detailed information see in the passport of a product

Lamp	K-303			K-200					
	T5	T8	TC	Con puente			Sin puente		
				T5	T8	PL	T5	T8	PL
Power, W									
11			3h/20%			1h/73%			1.5h
13			3h/20%						
14	3h/12%			3h/12%			3h/12%		
18		3h/11%	3h/12%		1h/40%	1h/38%		1.5h/32%	1.5h/31%
24						1.5h/36%			1.5h/28%
28	2h/12%			3h/12%			3h/12%		
32			2h/11%						
35	3h/12%			3h/12%			3h/12%		
36		2h/11%	2h/10%					1h/22%	1h/24%
42			2h/10%						
55			2h/9%						
58		2h/9%						1h/16%	



K-303

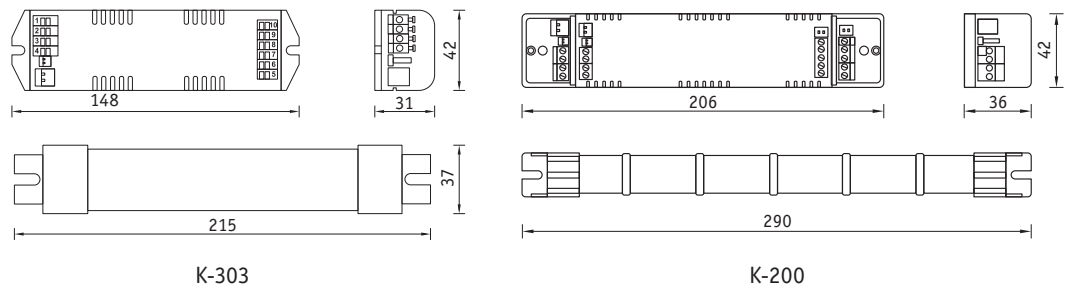
Conversion Kit converts a normal fluorescent lamp luminaire into an emergency luminaire, in order to offer uninterrupted illumination in case of power failure. The Kit consists of Electronic emergency ballast and a rechargeable Ni-Cd battery. It is suitable to be mounted on luminaries with 6-58 W fluorescent lamp, maintaining 1 lamp in function in emergency mode in case of power failure. The autonomy is superior 1 or 3 hours depending on the lamp power and model of the kit.

The lumen output in emergency mode is sufficient for the proper orientation, evacuation or even to continue working.

The kit is suitable to be connected to any magnetic or electronic ballast, before putting into function the luminaire it is advised to discharge the battery 2-3 times.

LT models with emergency function are indicated in our catalogue as ES1, at the time of ordering, please mention the luminaire code + ES1.

Dimensions



K-303

K-200

230V **IP20**

Article	Autonomy	Code
K-200	1	4501006450
K-303	3	6501000030