

Self Contained Emergency Luminary
SERIE ORION



Characteristics:

Supply 230 V 50/60Hz.

Non maintained luminary.

Stand by and re-start via Telemando

Yellow Led indicating, the Battery charging.

Autonomy more than 1 or 3 hours depending on the model.

Grade IP65.

Connection by means of 18 or 20 mm cable.

Overload and end of battery discharge protection.

Class II Luminaries should be installed in a way that no metal piece exposed is in electrical contact with any part of electrical connection connected to GROUND.

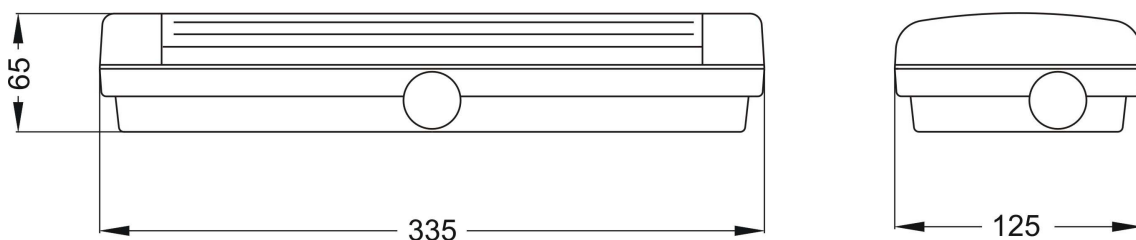
Norms Applied:

CE as per directives 79/23 of LVD and 89/336 of EMC

Manufactured according to norms UNE-EN 60598-2-22, UNE 20-392-93 and in compliance with the norms EN-55015 and EN 50082-1 of electromagnetic compatibility.

Adapted to the Instructions of Low tension Electro technical Norm RBT and NBE CPI 96 of the Basic norm of Edification.

Technical Drawing:



Models Available:

Model	Emergency lamp E	Indicating lamp S	Battery	Autonomy	φ Lumen
EF S-190	8 W (G5)	Yellow Led	3.6 V 1.5 Ah	1 Hr.	157
EF S-300	8 W (G5)	Yellow Led	6 V 1.5 Ah	1 Hr.	238
EF S-400	8 W (G5)	Yellow Led	6 V 1.5 Ah	1 Hr.	362
EF S-193	8 W (G5)	Yellow Led	2(3.6 V 1.6A h)	1 Hr.	157
PC-190	8 W (G5)	8 W (G5)	3.6 V 1.5 Ah	1 Hr.	157

Installation:

Install & connect the luminary to the main supply.

Check that the Yellow Led indicating the charging process is lit.

The batteries are supplied discharged and they need 24 hours to be charged completely, so the Luminary will not respond to its Autonomy until 24 hours.

Maintenance:

The batteries should be changed once their duration gets inferior to the assigned.

The luminaries should be checked at least once a year.

The batteries and tubes should be re-cycled or eliminated in an adequate way.

Verification TEST:

Verification test is possible with one of the following Accessories:

TELEMANDO VERIFICATION TV

By pressing the button ON, of the telemando the Luminary starts working on Emergency mode in the presence of power (see connection diagram next page)

TELEMANDO TM:

By pressing the button ON, the Luminary starts working on Emergency mode in the presence of power.

Stand by position:

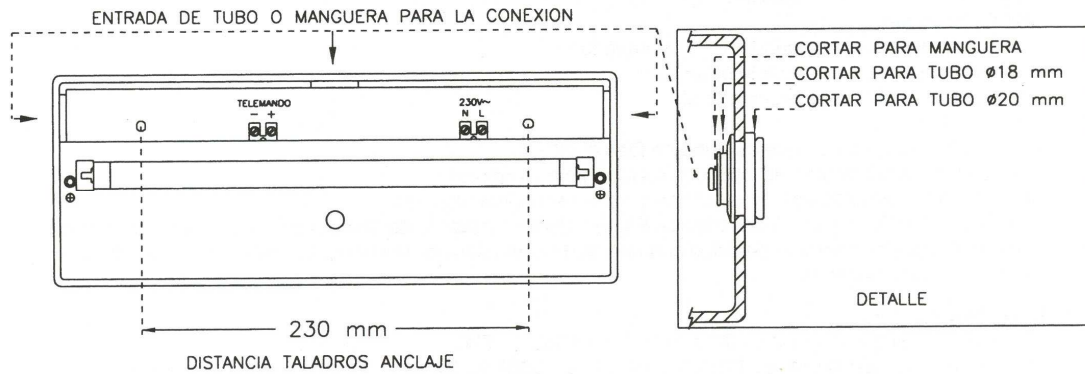
Connect the TELEMANDO TM as indicated in the diagram of connection

En Emergency mode it is possible to Switch OFFF the Luminary to Save the Battery power by pressing OFF.

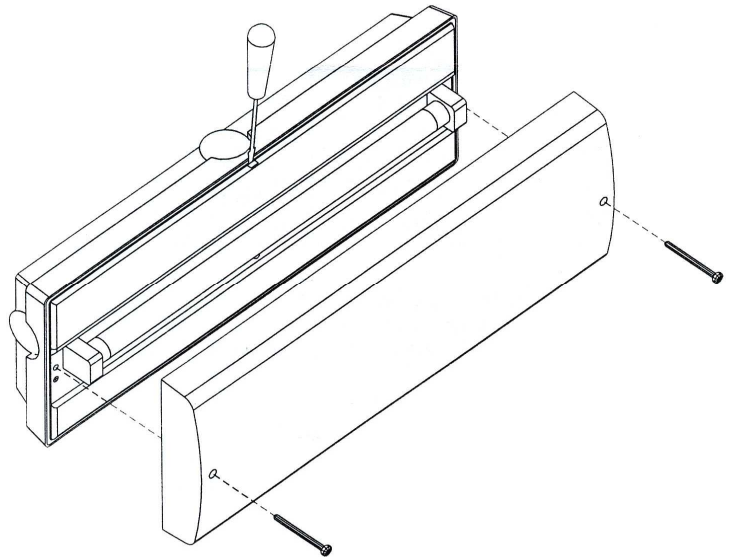
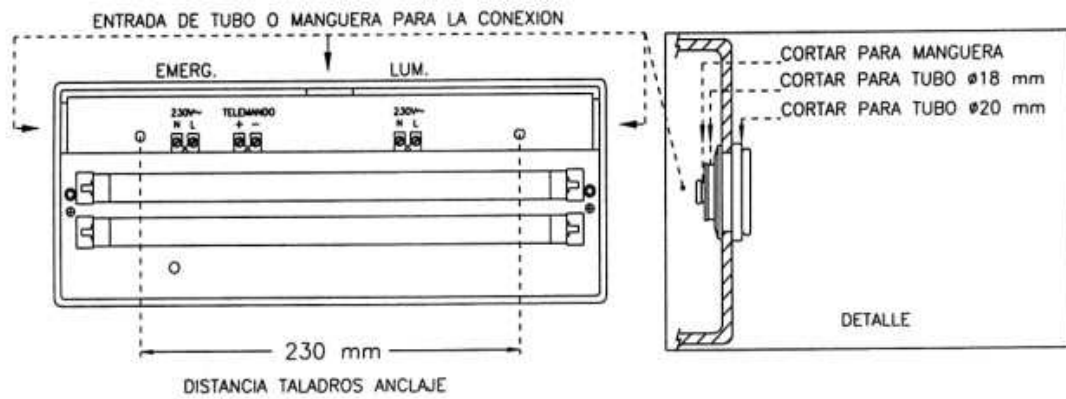
By pressing ON the Luminary starts working again.

Installation:

Connection Models (EFS-190, EFS-193, EFS-300, EFS-400)



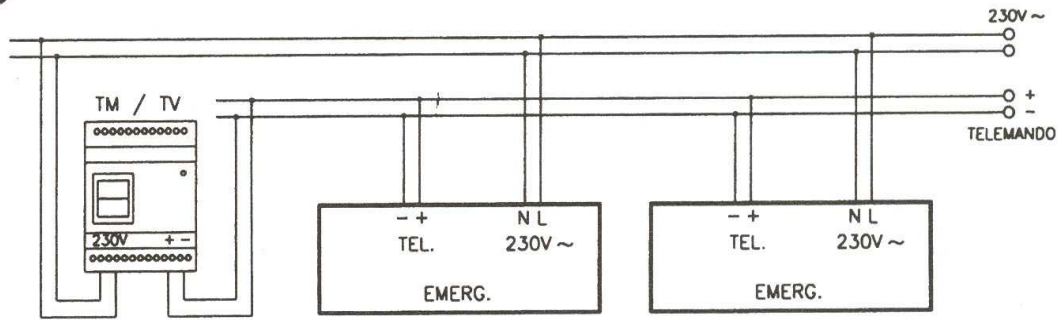
Connection Model PC-190



Unscrew and remove the crystal cover.
Remove the reflector by pressing with the help of a screwdriver in the point as indicated.
Now you can access the locking and connection of emergency unit.

Connection diagram:

Connection diagram Models (EFS-190, EFS-193, EFS-300, EFS-400)



Connection diagram Modelo PC-190

